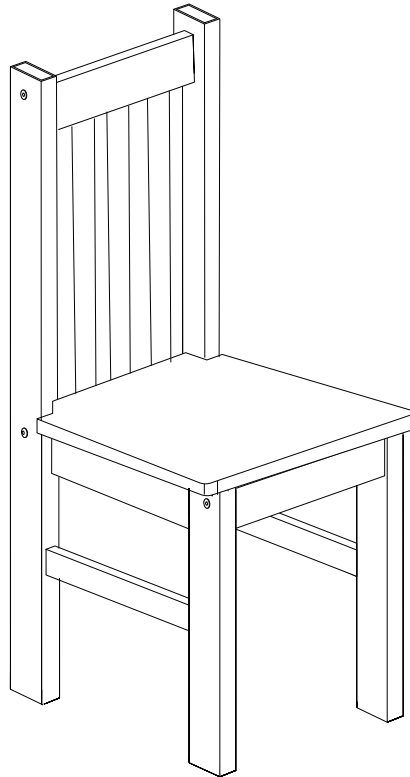


55952

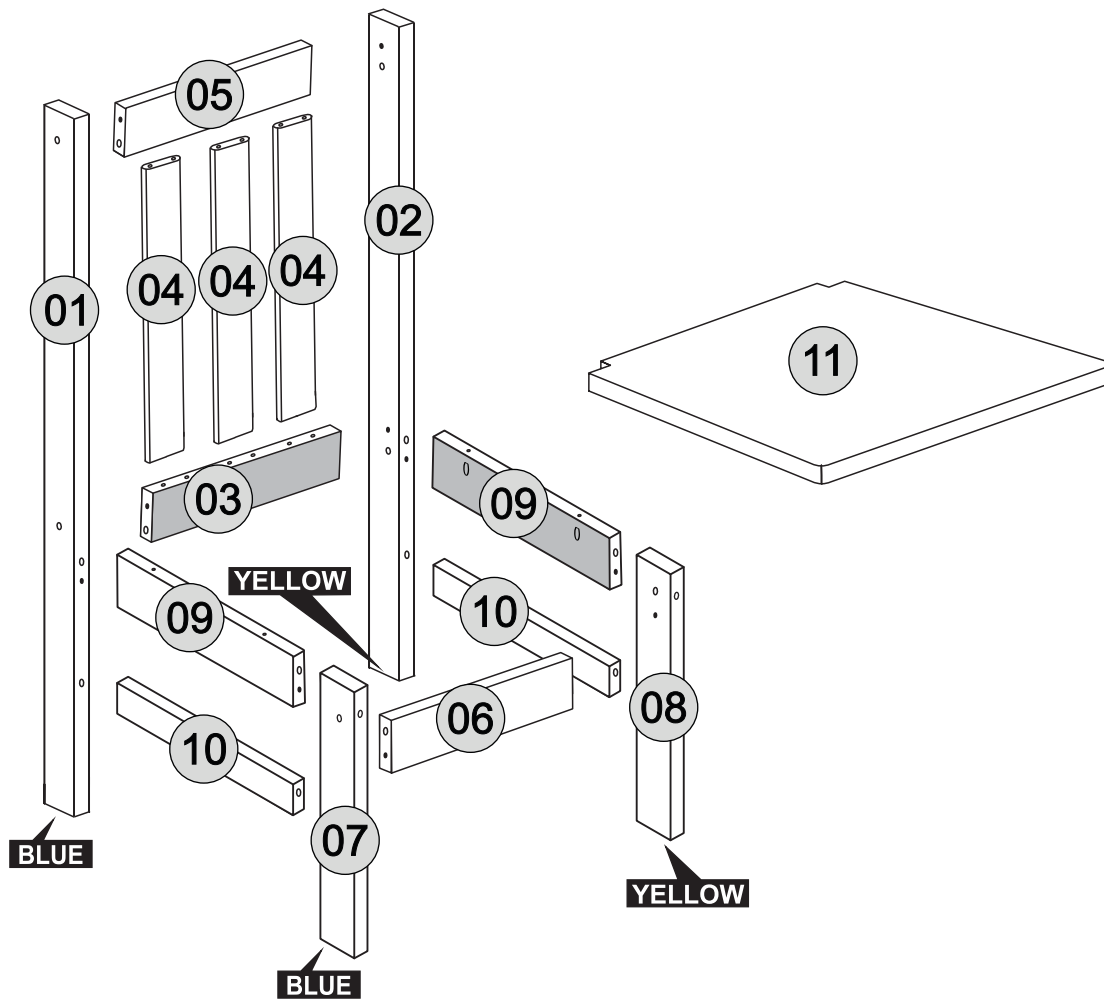
WHITE/OAK EFFECT LUDLOW DINING CHAIR ASSEMBLY INSTRUCTIONS



IMPORTANT **FOR DOMESTIC USE ONLY** **PLEASE READ BEFORE YOU CONTINUE FURTHER** **CARE AND MAINTENANCE**

After unpacking this product please keep the original packaging in case it needs to be returned for any reason.

- Please ensure all fittings and parts are present before commencing with assembly.
- We recommend that you lay a blanket or sheet on the floor to avoid damage to both your floor and the product.
- We strongly recommend that you keep children away from your work area.
- Assemble this product as close to its final position as possible.
- Never drag or push products as this could cause damage to the joints making it inferior.
- Do not place this product next to a radiator or in direct sunlight.
- Wood is a natural product and may expand if subjected to damp and may shrink or crack if subjected to heat. Therefore it is recommended that room temperature is maintained, with no sudden temperature fluctuations.
- Make sure any spillage is wiped off immediately.
- Do not place hot or chilled items directly on to the surface, use a place mat or marking will occur.
- For general cleaning use a duster, and do not use detergents of any kind. However, the surface will need to be retreated from time to time. This can be done by using block wax (unperfumed) and rubbing it over the whole item.
- From time to time it may be necessary to tighten fittings, regular inspections should be carried out.




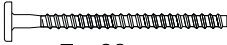




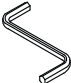

!
 * Use of power tools to assemble this product will invalidate any claim and damage this product making it unsafe !!!
 * Please assemble on a clean soft surface to avoid damage.

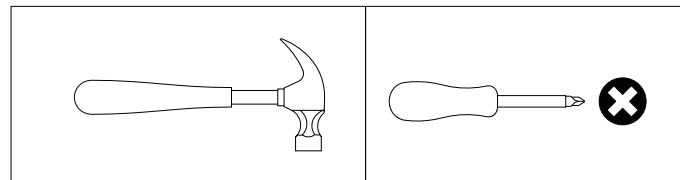
!
 * Please check contents and read the instructions before commencing assembly.
 * Assemble this product following the enclosed instructions carefully.
 * Please take care to avoid damaging panels during assembly.

PARTS LIST

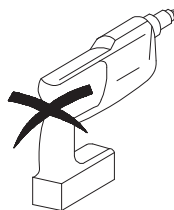
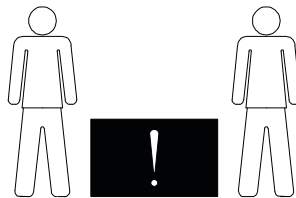
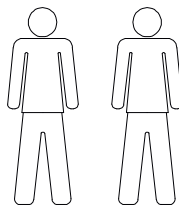
Part Number	Part Code	Part Description	Quantity	Carton
01	S400-401-163-DC1-01C	Back Leg Left (Blue Marking)	2	1/1
02	S400-401-163-DC1-02C	Back Leg Right (Yellow Marking)	2	1/1
03	S400-401-163-DC1-03C	Back Seat Rail	2	1/1
04	S400-401-163-DC1-04C	Spindles	6	1/1
05	S400-401-163-DC1-05C	Back Rail	2	1/1
06	S400-401-163-DC1-06C	Front Seat Rail	2	1/1
07	S400-401-163-DC1-07C	Front Leg Left (Blue Marking)	2	1/1
08	S400-401-163-DC1-08C	Front Leg Right (Yellow Marking)	2	1/1
09	S400-401-163-DC1-09C	Side Seat Rail	4	1/1
10	S400-401-163-DC1-10C	Stretcher	4	1/1
11	S400-401-163-DC1-11C	Seat Pad	2	1/1

FITTINGS

A	 GLUE	02	E	 7 x 90mm	08
B	 3,5 x 35mm	08	F	 10 x 40mm	28
C	 7 x 60mm	12	G	 6 x 30mm	24
D		01	H	 4 x 40mm	08

TOOLS REQUIRED

2,5m x 3m






STEP 1


PARTS REQUIRED

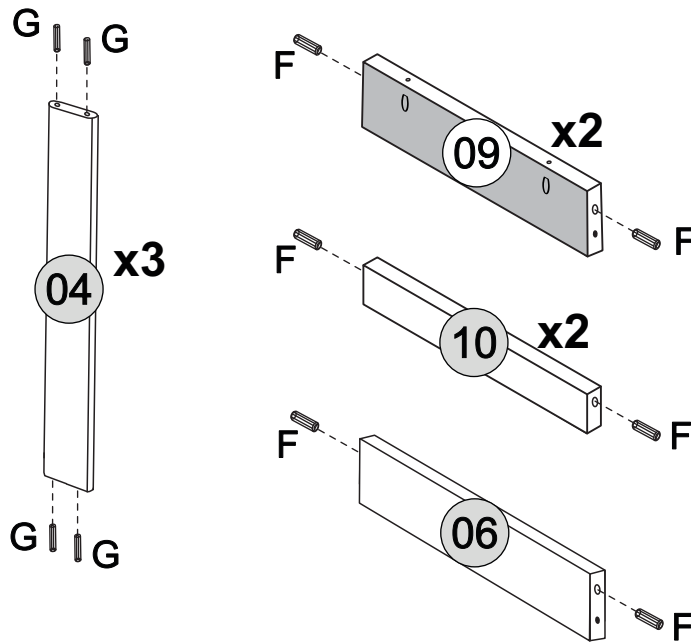
04 - SPINDLES	x3
06 - FRONT SEAT RAIL	x1
09 - SIDE SEAT RAIL	x2
10 - STRETCHER	x2

HARDWARE REQUIRED

A	 GLUE	01
F	 10 x 40mm	10
G	 6 x 30mm	12

TOOLS REQUIRED

 Glue must be added to Parts 04, 06, 09 and 10.





STEP 2


PARTS REQUIRED

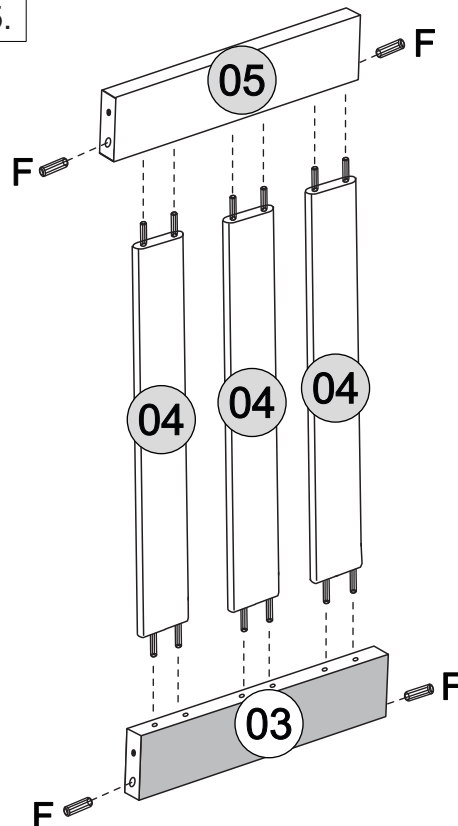
03 - BACK SEAT RAIL	x1
04 - SPINDLES	x3
05 - BACK RAIL	x1

HARDWARE REQUIRED

A	 GLUE	01
F	 10 x 40mm	04

TOOLS REQUIRED

 Glue must be added to Parts 03 and 05.



STEP 3

PARTS REQUIRED

01 - BACK LEG LEFT (BLUE) x1

07 - FRONT LEG LEFT (BLUE) x1


09 - SIDE SEAT RAIL x1

10 - STRETCHER x1

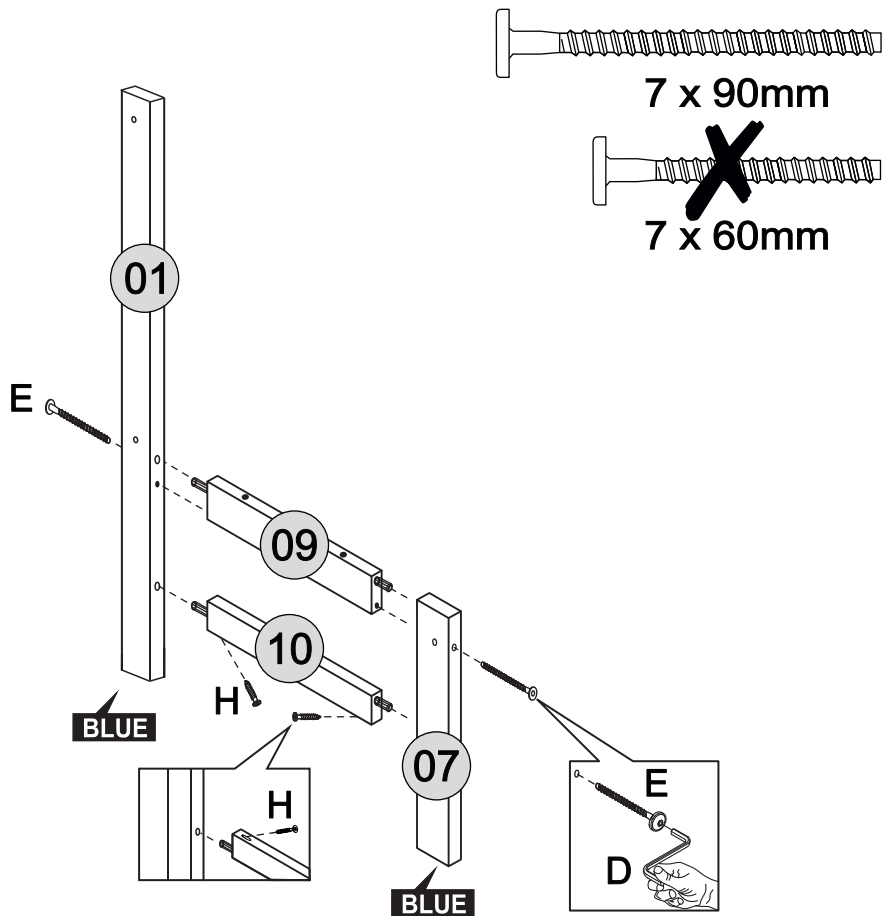
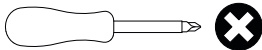
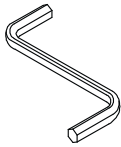
HARDWARE REQUIRED


A  01

E  02

H  02

TOOLS REQUIRED



 Glue must be added to Parts 01 and 07.

STEP 4

PARTS REQUIRED

02- BACK LEG RIGHT (YELLOW) x1

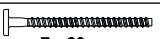
08-FRONT LEG RIGHT (YELLOW)x1

09- SIDE SEAT RAIL x1

10- STRETCHER x1

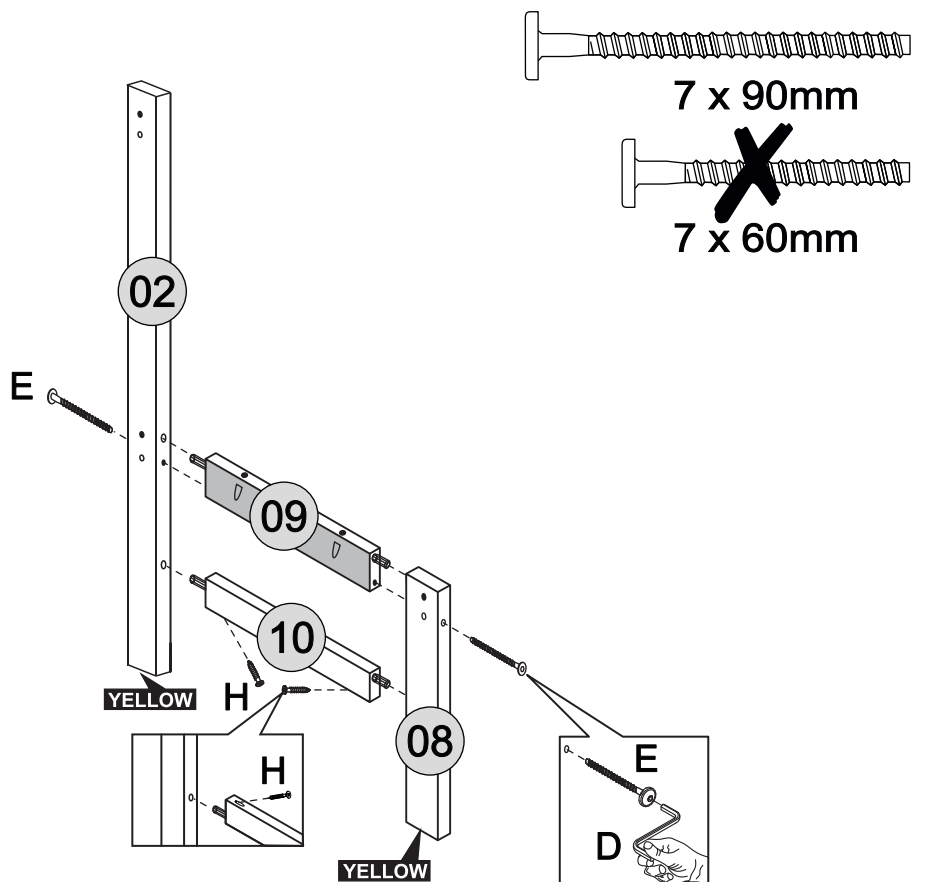
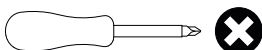
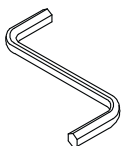
HARDWARE REQUIRED


A  01

E  02

H  02

TOOLS REQUIRED

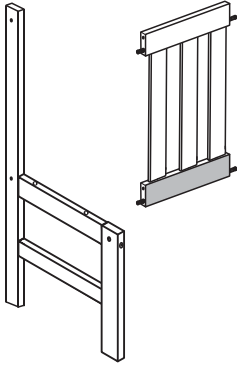


 Glue must be added to Parts 02 and 08.

STEP 5

PARTS REQUIRED

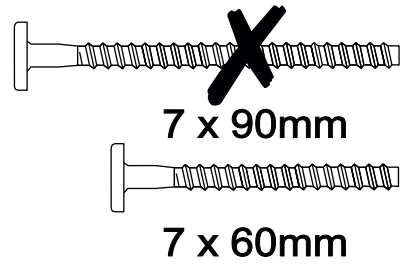
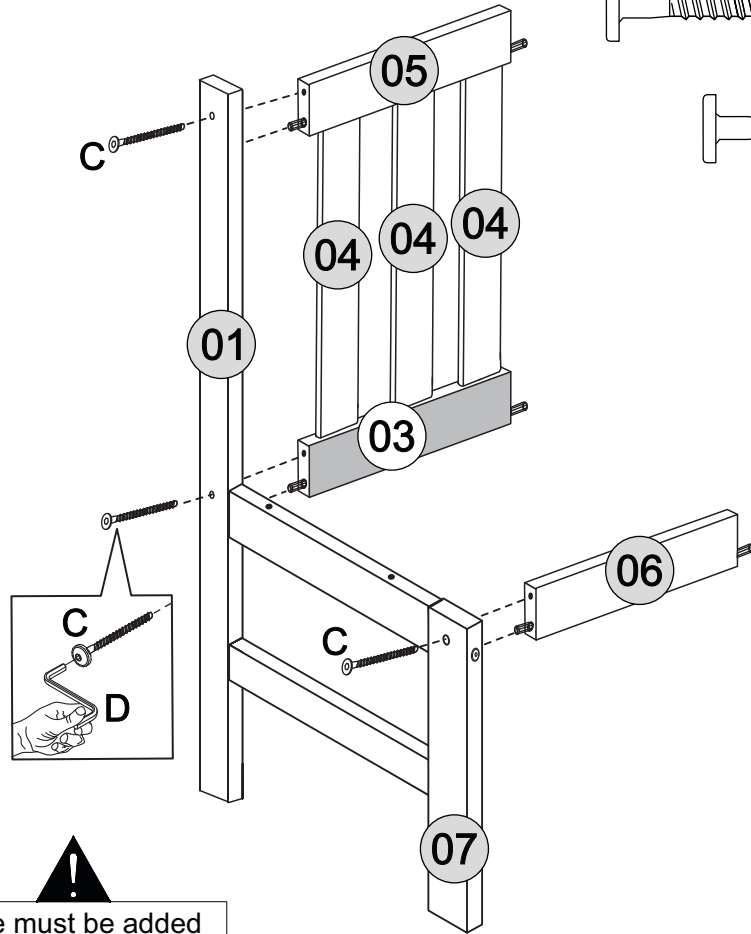
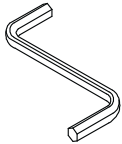
06 - FRONT SEAT RAIL x1



HARDWARE REQUIRED

- | | | |
|---|----------|----|
| A | GLUE | 01 |
| C | 7 x 60mm | 03 |

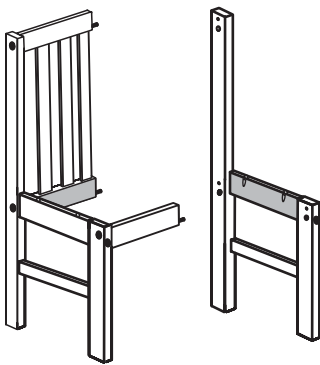
TOOLS REQUIRED



!
Glue must be added to Part 01 and 07.

STEP 6

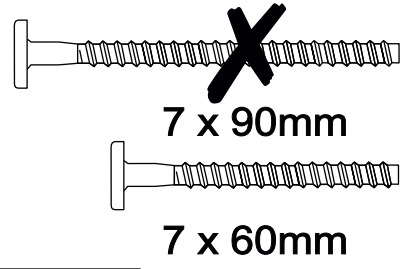
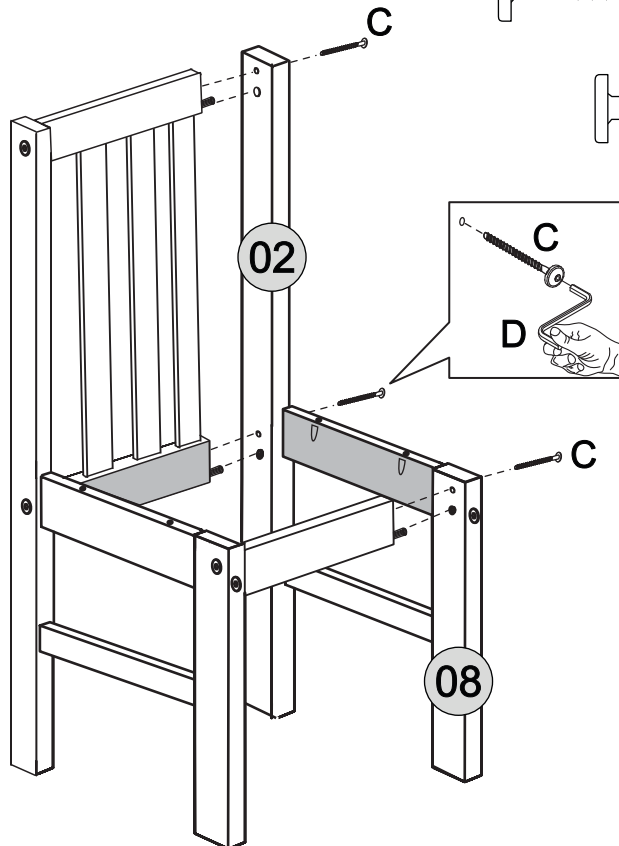
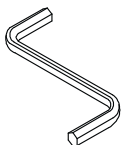
PARTS REQUIRED



HARDWARE REQUIRED

- | | | |
|---|----------|----|
| A | GLUE | 01 |
| C | 7 x 60mm | 03 |

TOOLS REQUIRED

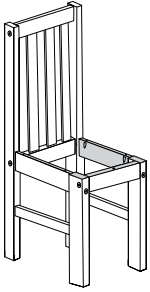


!
Glue must be added to Parts 02 and 08.


STEP 7

PARTS REQUIRED

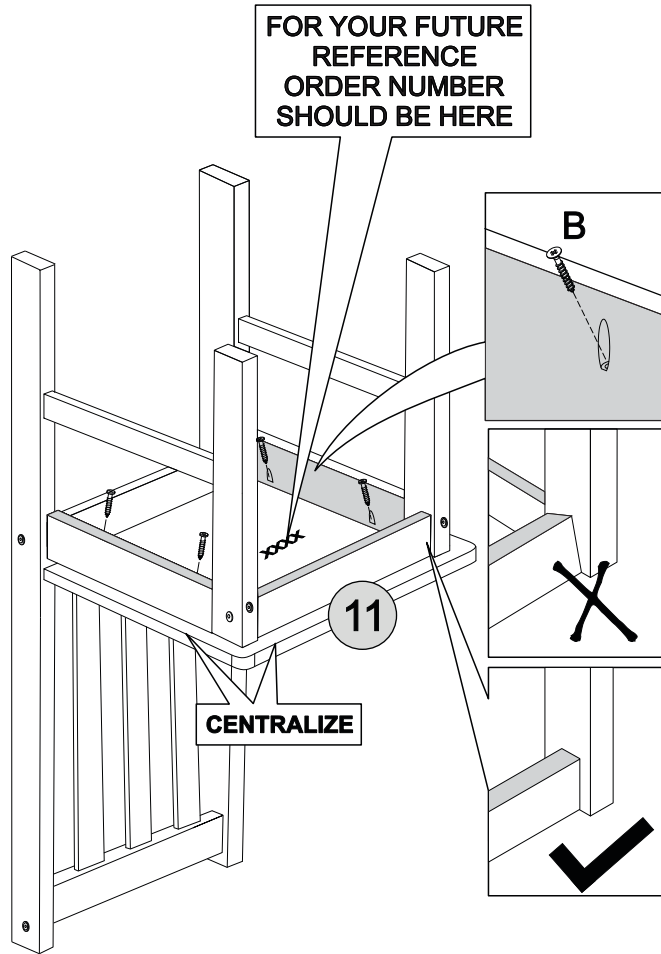
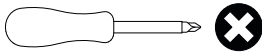
11 - SEAT PAD x1



HARDWARE REQUIRED

B  04
3,5 x 35mm

TOOLS REQUIRED



STEP 8

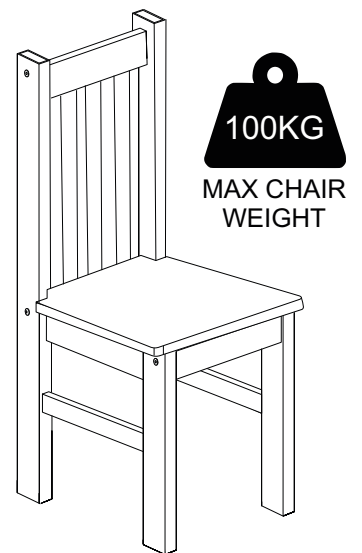
PARTS REQUIRED

HARDWARE REQUIRED

TOOLS REQUIRED

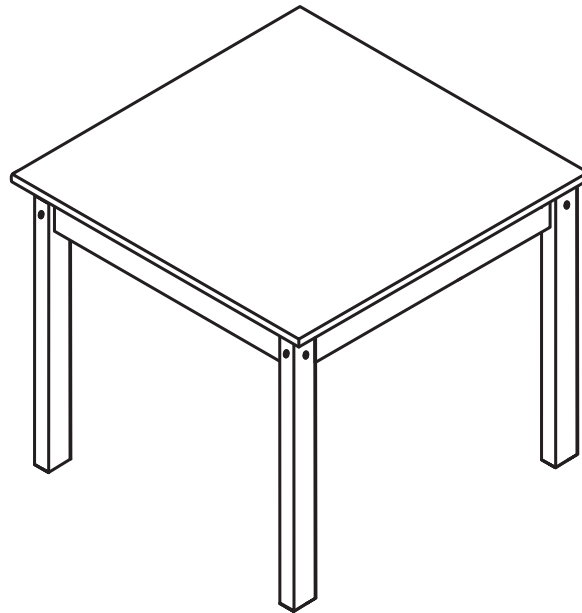
IMPORTANT NOTICE

Please allow at least 6 hours for the glue to dry before using your new chairs. If you don't follow these instructions it will affect the strength of the chair and might void your warranty.



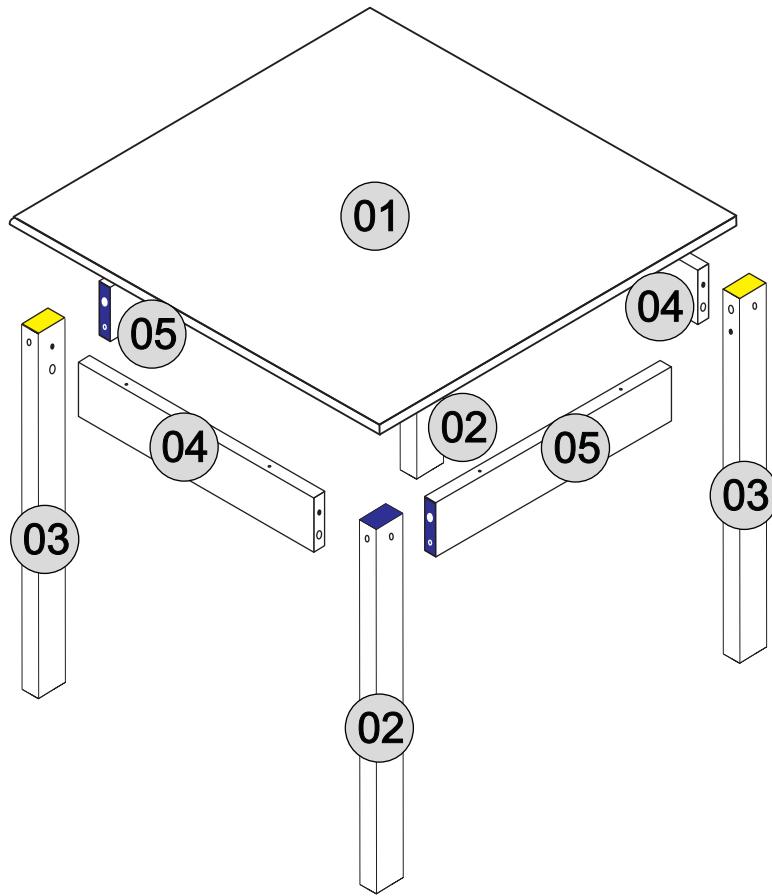
55952

WHITE/OAK EFFECT LUDLOW DINING TABLE ASSEMBLY INSTRUCTIONS



IMPORTANT PLEASE READ BEFORE YOU CONTINUE FURTHER FOR DOMESTIC USE ONLY CARE AND MAINTENANCE

- After unpacking this product please keep the original packaging in case it needs to be returned for any reason.
- Please ensure all fittings and parts are present before commencing with assembly.
- We recommend that you lay a blanket or sheet on the floor to avoid damage to both your floor and the product.
- We strongly recommend that you keep children away from your work area.
- Assemble this product as close to its final position as possible.
- Never drag or push products as this could cause damage to the joints making it inferior.
- Do not drag or push items across your furniture as this may cause the surface to scratch.
- Do not place this product next to a radiator or in direct sunlight.
- Wood is a natural product and may expand if subjected to damp and may shrink or crack if subjected to heat. Therefore it is recommended that room temperature is maintained, with no sudden temperature fluctuations.
- Make sure any spillage is wiped off immediately.
- Do not place hot or chilled items directly on to the surface, use a place mat or marking will occur.
- For general cleaning use a soft cotton or micro fibre cloth, and do not use detergents of any kind.
- Do not place on a wet or damp floor as staining may occur to your floor.
- From time to time it may be necessary to tighten fittings, regular inspections should be carried out.




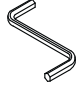




* Use of power tools to assemble this product will invalidate any claim and damage this product making it unsafe !!!
 * Please assemble on a clean soft surface to avoid damage.

* Please check contents and read the instructions before commencing assembly.
 * Assemble this product following the enclosed instructions carefully.
 * Please take care to avoid damaging panels during assembly.

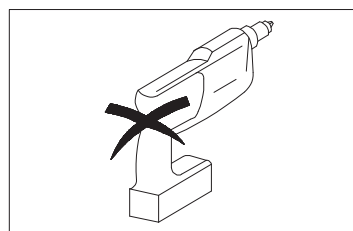
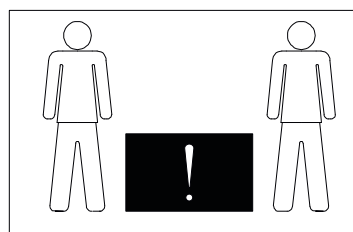
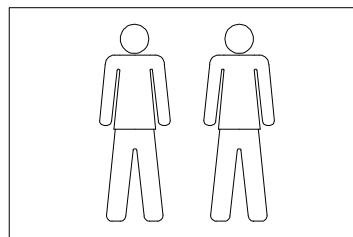
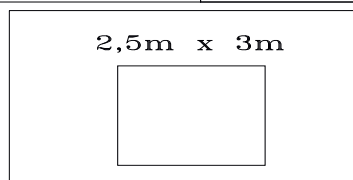
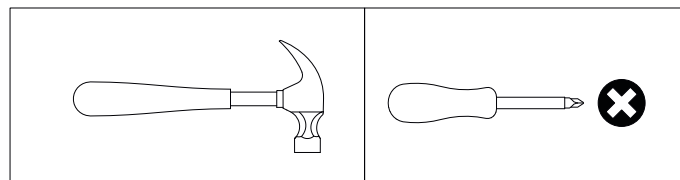
PARTS LIST

Part Number	Part Code	Part Description	Quantity	Carton
01	S400-401-163-DC1-01T	Table Top	1	1/1
02	S400-401-163-DC1-02T	Table Leg (Blue Marking)	2	1/1
03	S400-401-163-DC1-03T	Table Leg (Yellow Marking)	2	1/1
04	S400-401-163-DC1-04T	Frame Side	2	1/1
05	S400-401-163-DC1-05T	Frame Side (Blue Marking)	2	1/1

FITTINGS

A	 GLUE	01	D		01
B	 3,5 x 35mm	08	E	 7 x 70mm	04
C	 7 x 110mm	04	F	 8 x 40mm	08

TOOLS REQUIRED



STEP 1

PARTS REQUIRED

04 - FRAME SIDE x1


05 - FRAME SIDE (BLUE) x1

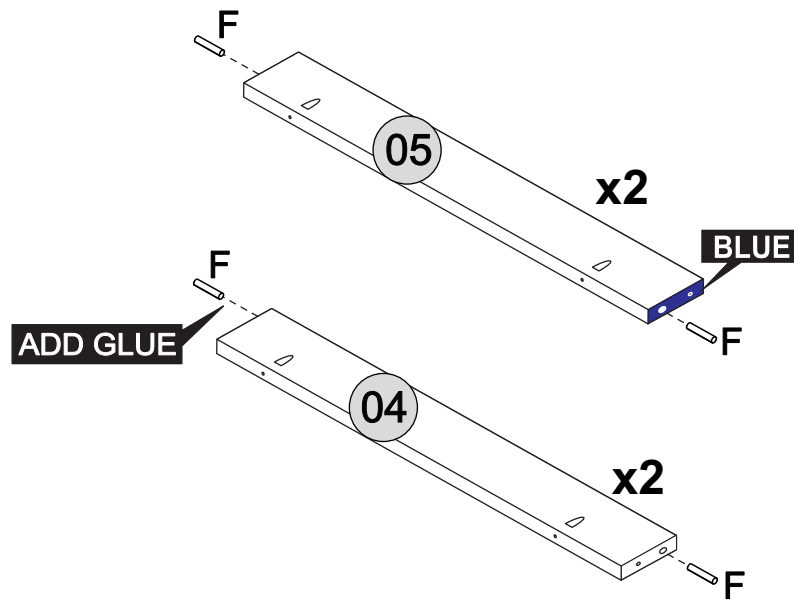
HARDWARE REQUIRED

A  01

F  8 x 40mm 08

TOOLS REQUIRED

 Glue must be added to Parts 04 and 05.



STEP 2

PARTS REQUIRED

02 - TABLE LEG (BLUE) x2

03 - TABLE LEG (YELLOW) x2

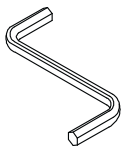
05 - FRAME SIDE (BLUE) x2


HARDWARE REQUIRED

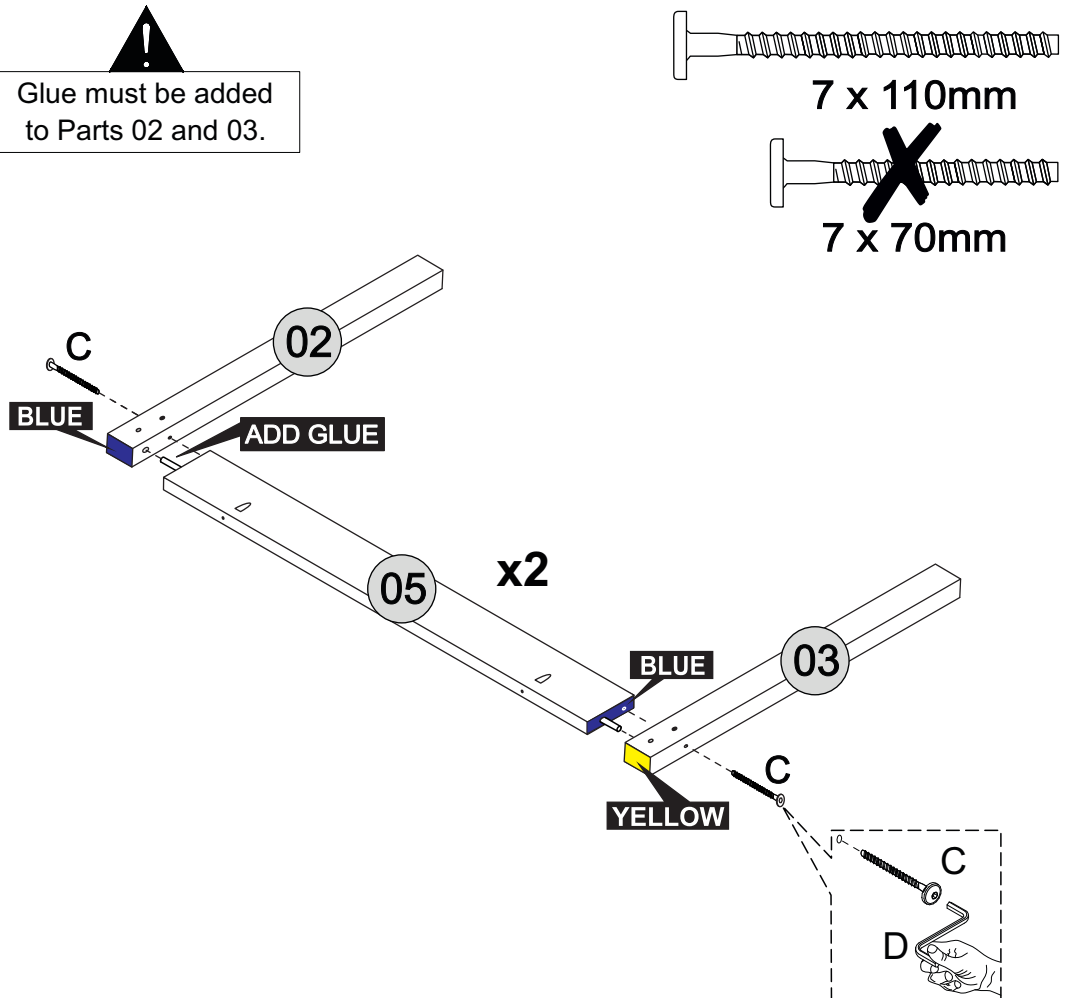
A  01

C  7 x 110mm 04

TOOLS REQUIRED



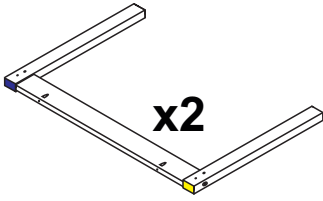
 Glue must be added to Parts 02 and 03.




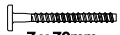
STEP 3

PARTS REQUIRED

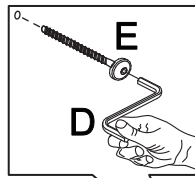
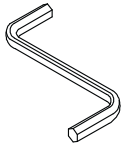
04 - FRAME SIDE x2



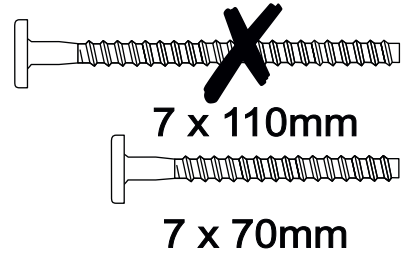
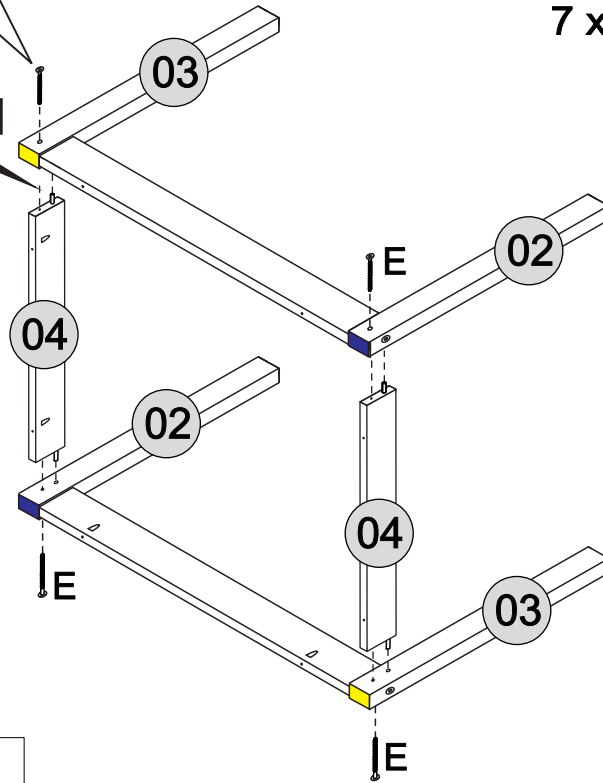
HARDWARE REQUIRED

- A  01
- E  04

TOOLS REQUIRED



ADD GLUE

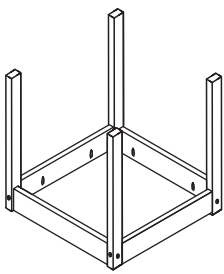


Glue must be added to parts 02 and 03.


STEP 4

PARTS REQUIRED

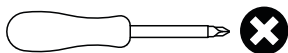
01 - TABLE TOP x1



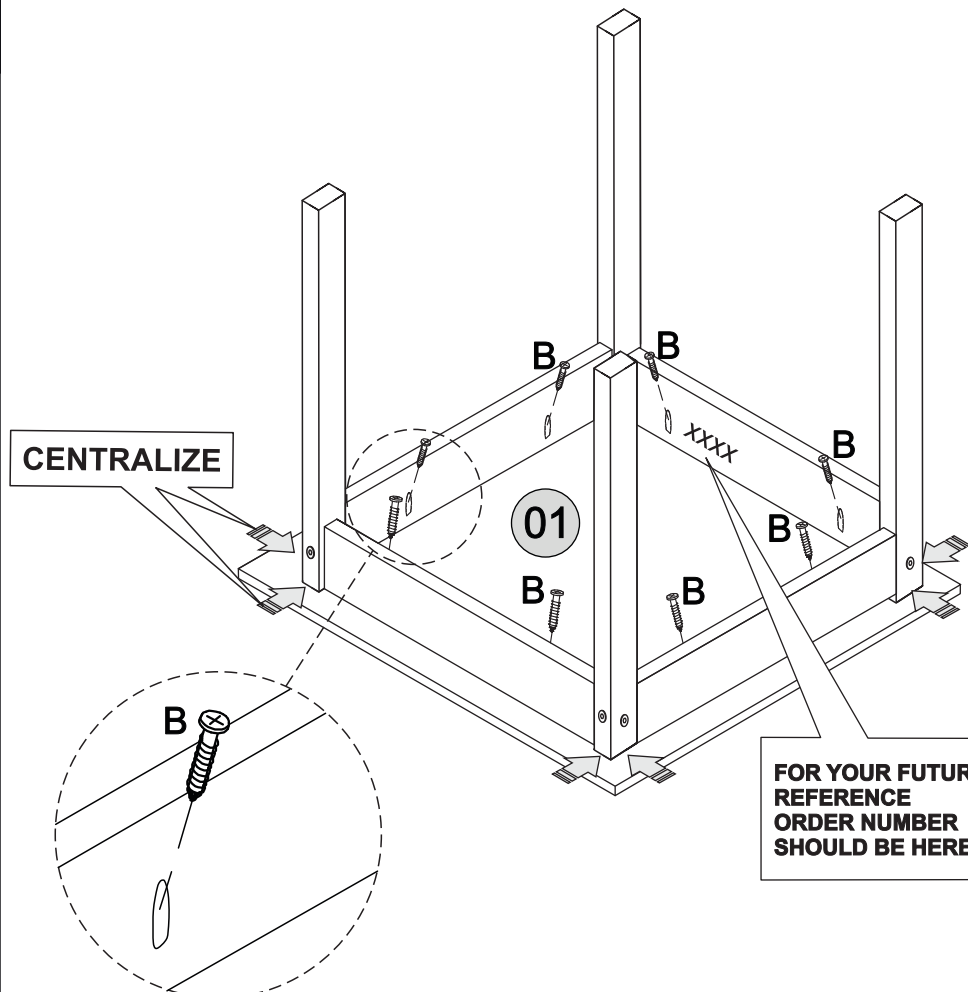
HARDWARE REQUIRED

- B  08

TOOLS REQUIRED



CENTRALIZE



FOR YOUR FUTURE REFERENCE ORDER NUMBER SHOULD BE HERE