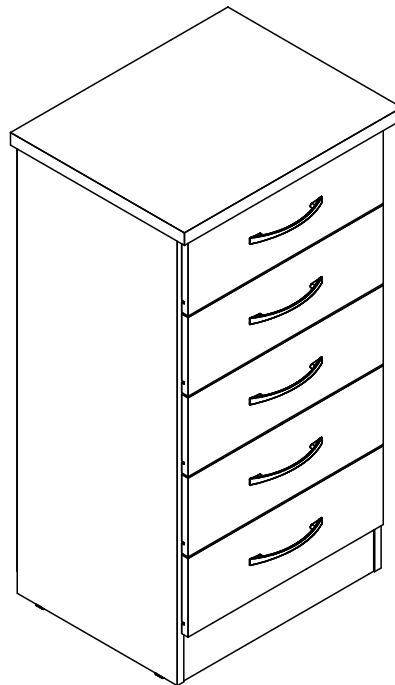




# NEVADA 5 DRAWER NARROW CHEST ASSEMBLY INSTRUCTIONS BLACK WOOD GRAIN



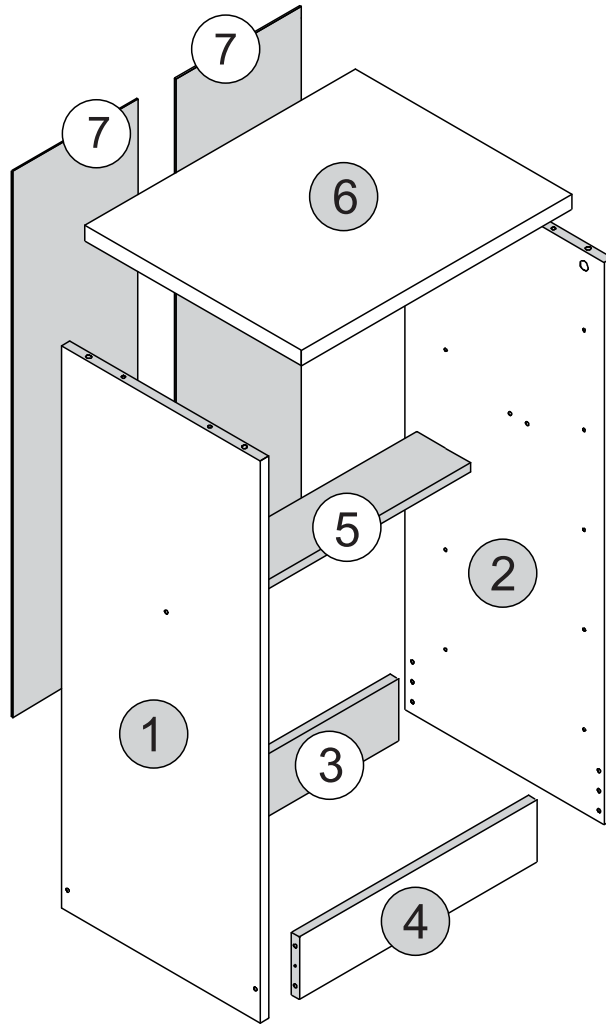
## IMPORTANT FOR DOMESTIC USE ONLY

PLEASE READ BEFORE YOU CONTINUE FURTHER

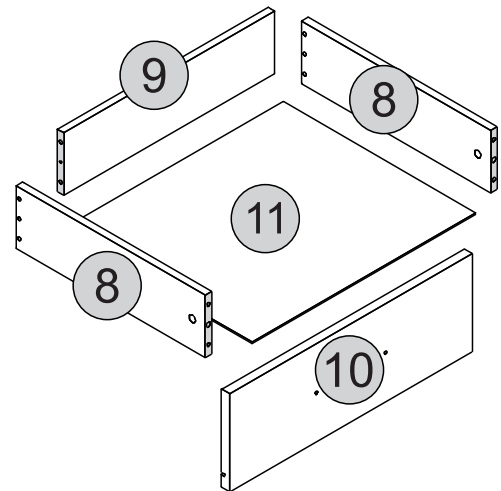
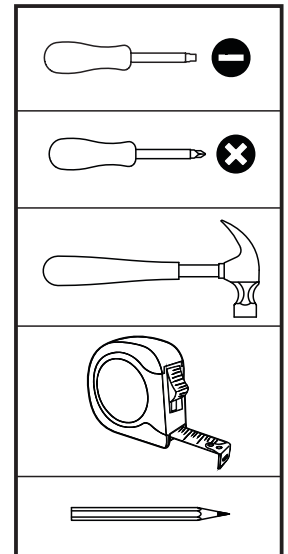
## CARE AND MAINTENANCE

After unpacking this product please keep the original packaging in case it needs to be returned for any reason.

- Please ensure all fittings and parts are present before commencing with assembly.
- Never drag or push products as this could cause damage to the joints making it inferior.
- We strongly recommend that you keep children away from your work area.
- We recommend that you lay a blanket or sheet on the floor to avoid damage to both your floor and the product.
- Assemble this product as close to its final position as possible.
- Do not place this product next to a radiator or in direct sunlight.
- Do not drag or push items across your high gloss furniture as this may cause the surface to scratch
- Wood is a natural product and may expand if subjected to damp and may shrink or crack if subjected to heat. Therefore it is recommended that room temperature is maintained, with no sudden temperature fluctuations.
- Make sure any spillage is wiped off immediately.
- Do not place hot or chilled items directly on to the surface, use a place mat or marking will occur.
- For general cleaning use a soft cotton or micro fibre cloth, and do not use detergents of any kind.
- From time to time it may be necessary to tighten fittings, regular inspections should be carried out.
- Do not place on a wet or damp floor as staining may occur to your floor.



**TOOLS REQUIRED**


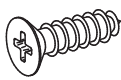
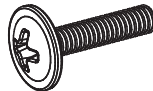

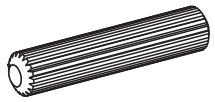
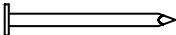

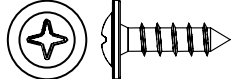


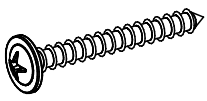
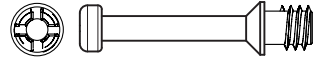


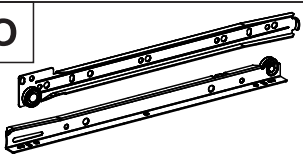
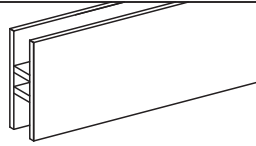




**PARTS LIST**

**Please Note:**  
The below parts have all been stamped with the part number to help identify them during assembly.

Part Number	Part Code	Part Description	Quantity	Carton
01	S100-102-148-DM1-01	Left Side Panel	1	1/1
02	S100-102-148-DM1-02	Right Side Panel	1	1/1
03	S100-102-148-DM1-03	Back Baseboard	1	1/1
04	S100-102-148-DM1-04	Front Baseboard	1	1/1
05	S100-102-148-DM1-05	Crossbar	1	1/1
06	S100-102-148-DM1-06	Top Panel	1	1/1
07	S100-102-148-DM1-07	Back Panel	2	1/1
08	S100-102-148-DM1-08	Drawer Side	10	1/1
09	S100-102-148-DM1-09	Drawer Back Panel	5	1/1
10	S100-102-148-DM1-10	Drawer Front	5	1/1
11	S100-102-148-DM1-11	Drawer Bottom	5	1/1


## FITTINGS LIST

<p><b>A</b></p>  <p>Flat Head Screw Ø6,0 x 8mm (20x)</p>	<p><b>B</b></p>  <p>Flat Head Screw Ø4,0 x 14mm (30x)</p>	<p><b>C</b></p>  <p>Flan Head Screw Ø4,0 x 20mm (10x)</p>	<p><b>D</b></p>  <p>Flat Head Screw Ø4,0 x 45mm(16x)</p>
<p><b>E</b></p>  <p>2/+ Dowel Ø6,0 x 30mm (54x)</p>	<p><b>F</b></p>  <p>+/5 Nail 10 x 10 (70x)</p>	<p><b>G</b></p>  <p>1/+ Cam Nut Ø12mm (14x)</p>	<p><b>H</b></p>  <p>1/+ Flan Head Screw Ø3,5 x 12mm (4x)</p>
<p><b>I</b></p>  <p>1/+ Washer (2x)</p>	<p><b>J</b></p>  <p>1/+ Plastic Foot (4x)</p>	<p><b>K</b></p>  <p>1/+ Flan Head Screw Ø3,5 x 30mm (1x)</p>	<p><b>L</b></p>  <p>1/+ Cam Bolt (14x)</p>
<p><b>M</b></p>  <p>2/+ Hole Plugs (26x)</p>	<p><b>N</b></p>  <p>GLUE Glue (3x)</p>	<p><b>O</b></p>  <p>Drawer Runners (5x)</p>	<p><b>P</b></p>  <p>Back Panel Strip (1x)</p>
<p><b>Q</b></p>  <p>Strap (1x)</p>	<p><b>R</b></p>  <p>Handle (5x)</p>		

### TIPS FOR FITTINGS CAM-LOCKS

WHEN FITTING CAM NUT. ENSURE STARTING POSITION IS CORRECT BEFORE YOU INSERT CONNECTING CAM BOLT TURN CLOCKWISE UNTIL SECURE


✓



↑

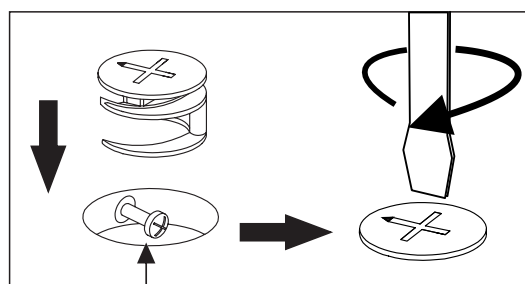
**CORRECT**

✗



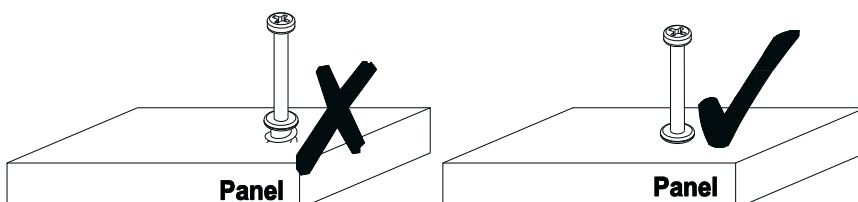
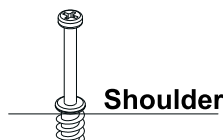
↑

**WRONG**



**Cam bolt head needs to be in centre**

**CAMBOLT**  
Tighten until shoulder in flush with panel. Do not overtighten or undertighten (see example beside)

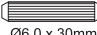


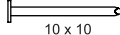
# STEP 1

## PARTS REQUIRED

1 - LEFT SIDE PANEL x1

## HARDWARE REQUIRED

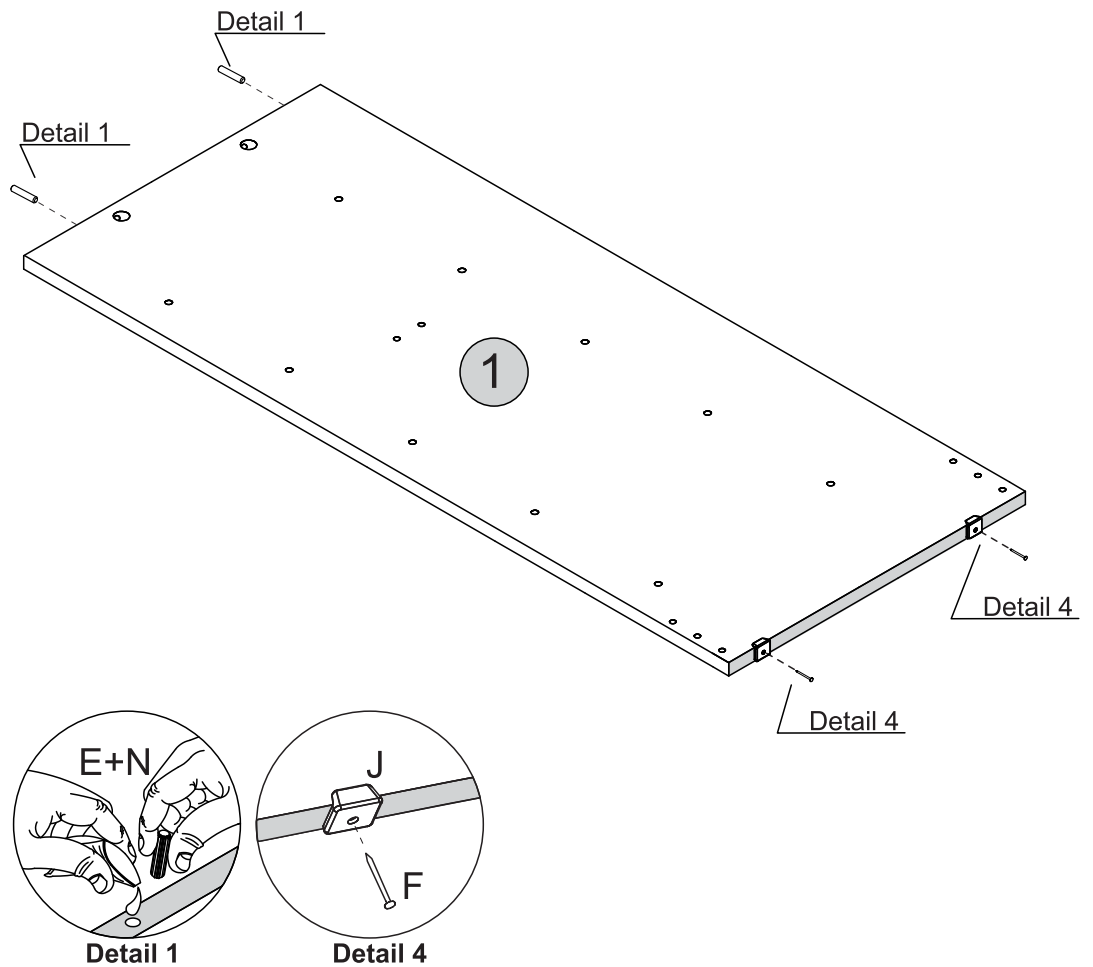
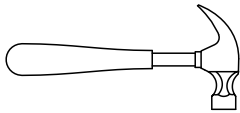
E  02  
Ø6,0 x 30mm

F  02  
10 x 10

J  02

N  01  
GLUE

## TOOLS REQUIRED

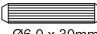


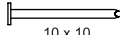
# STEP 2

## PARTS REQUIRED

2 - RIGHT SIDE PANEL x1

## HARDWARE REQUIRED

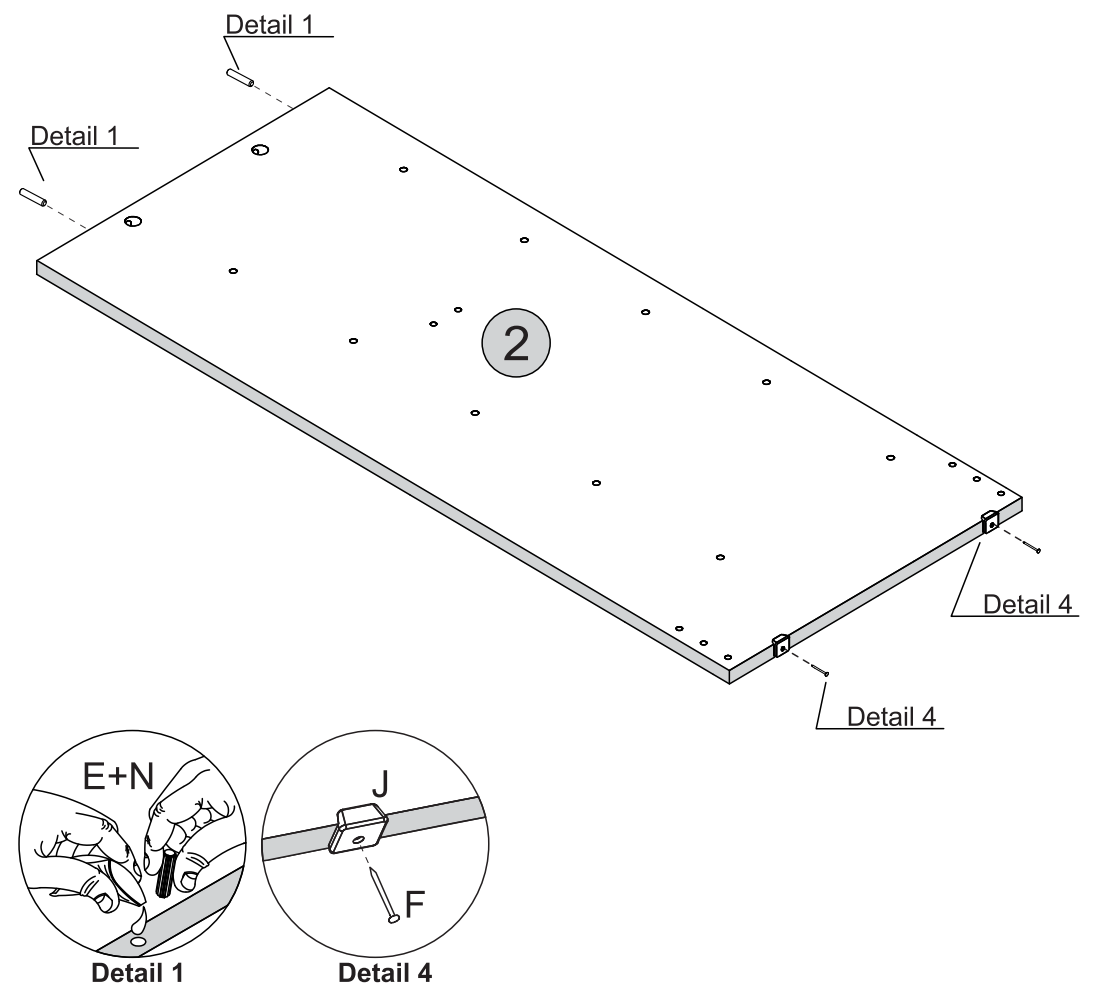
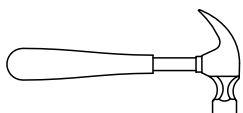
E  02  
Ø6,0 x 30mm

F  02  
10 x 10

J  02

N  01  
GLUE

## TOOLS REQUIRED



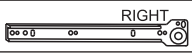
# STEP 3

### PARTS REQUIRED

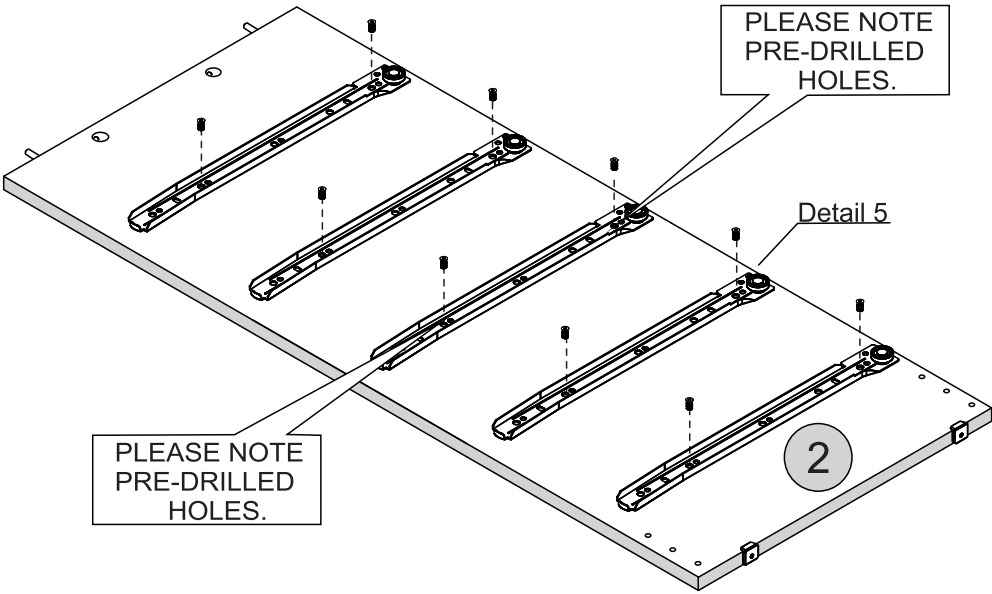
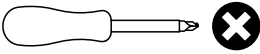
2 - RIGHT SIDE PANEL x1

### HARDWARE REQUIRED

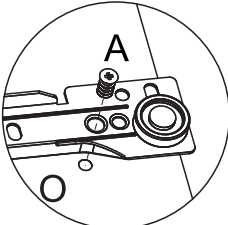
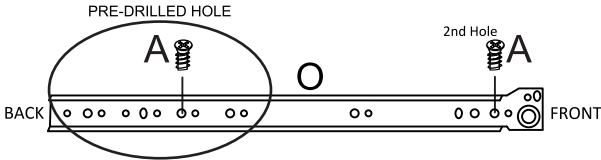
A  10  
Ø6.0 x 8mm

O  05  
RIGHT

### TOOLS REQUIRED



To Assemble the Drawer Slide, Please Follow Step as Below



Detail 5


# STEP 4

### PARTS REQUIRED

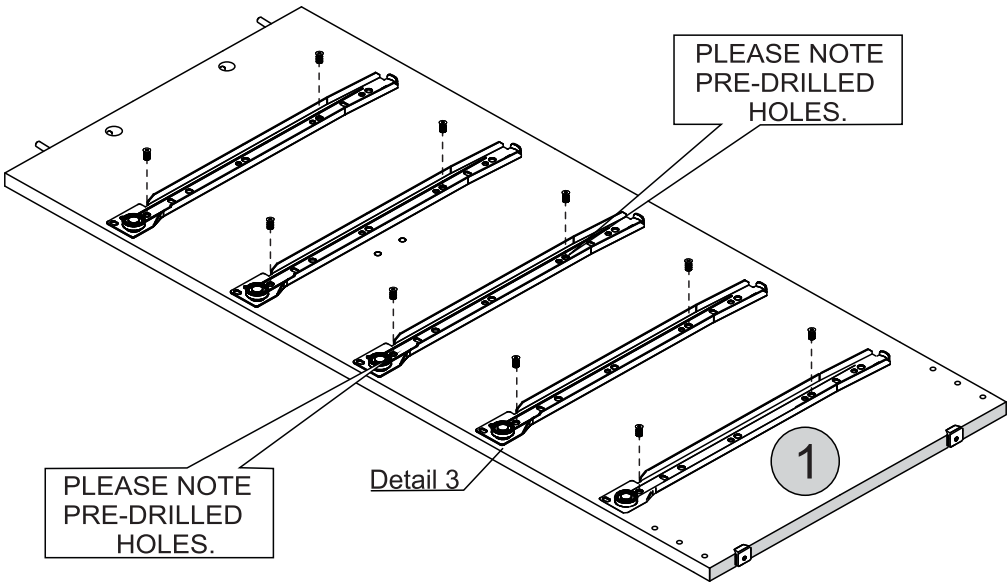
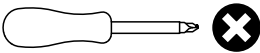
1 - LEFT SIDE PANEL x1

### HARDWARE REQUIRED

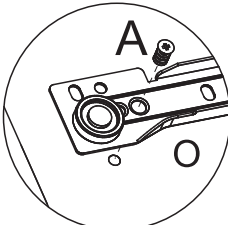
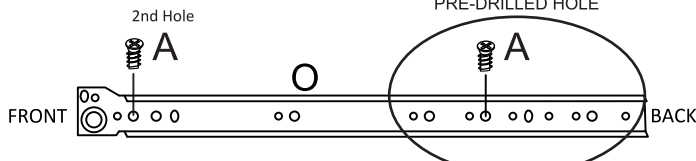
A  10  
Ø6.0 x 8mm

O  05  
LEFT

### TOOLS REQUIRED



To Assemble the Drawer Slide, Please Follow Step as Below



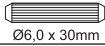

Detail 3

# STEP 5

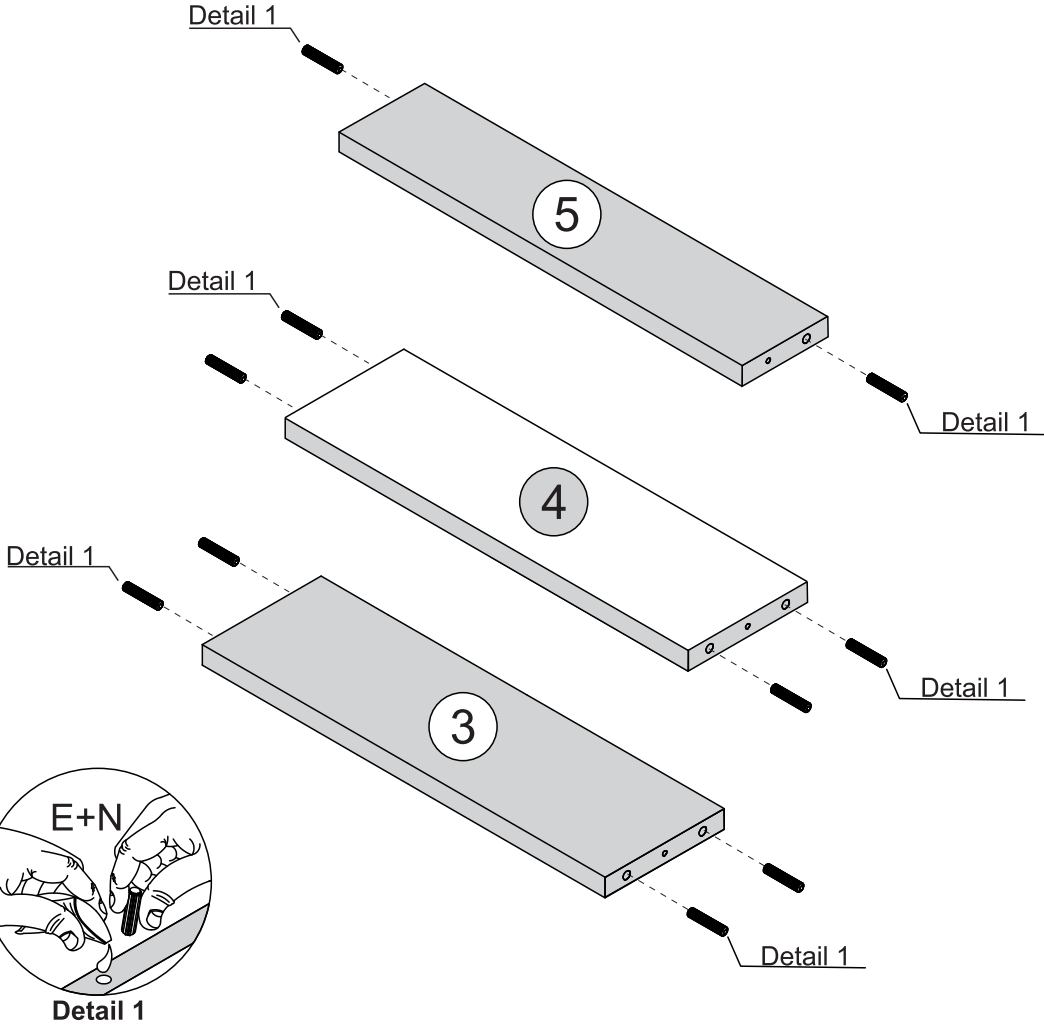
### PARTS REQUIRED

- 3 - BACK BASEBOARD x1
- 4 - FRONT BASEBOARD x1
- 5 - CROSSBAR x1

### HARDWARE REQUIRED

- E  10  
Ø6.0 x 30mm
- N  01  
GLUE

### TOOLS REQUIRED



# STEP 6

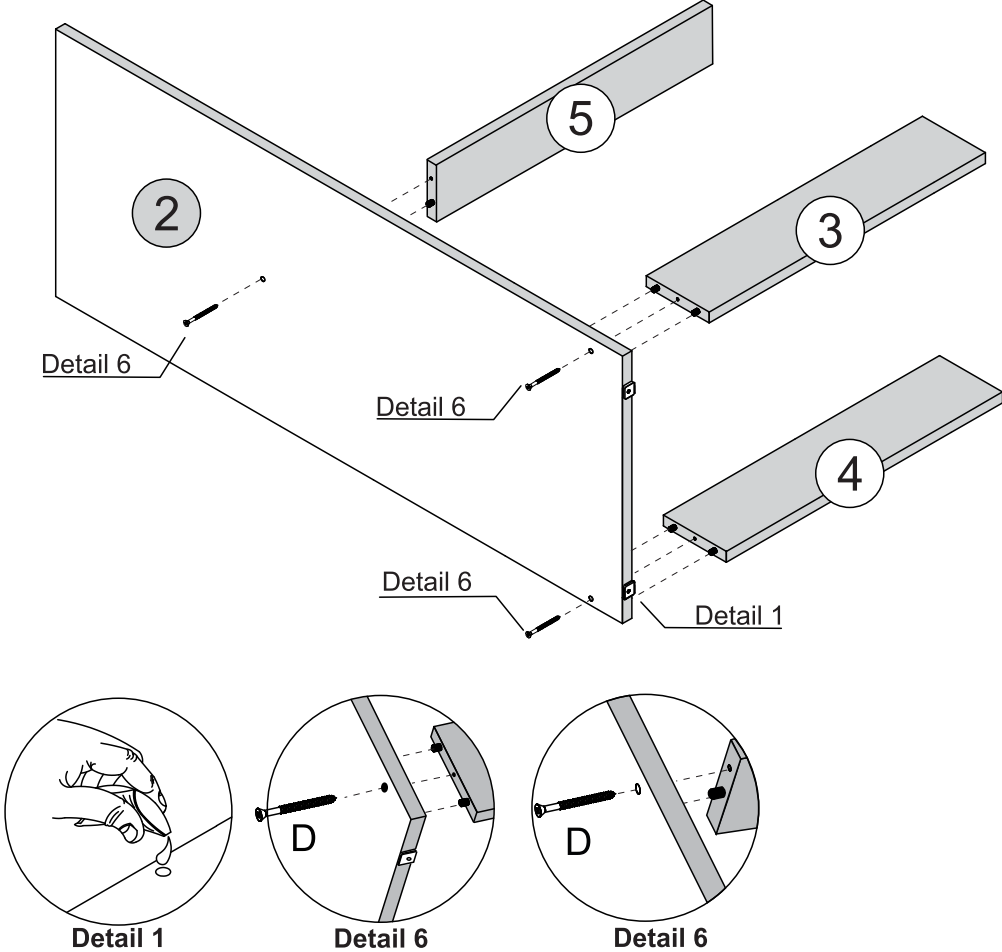
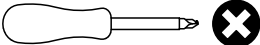
### PARTS REQUIRED

- 2 - RIGHT SIDE PANEL x1
- 3 - BACK BASEBOARD x1
- 4 - FRONT BASEBOARD x1
- 5 - CROSSBAR x1

### HARDWARE REQUIRED

- D  03  
Ø4,0 x 45mm
- K  01  
GLUE

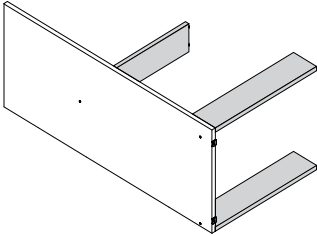
### TOOLS REQUIRED



# STEP 7

### PARTS REQUIRED

1 - LEFT SIDE PANEL x1

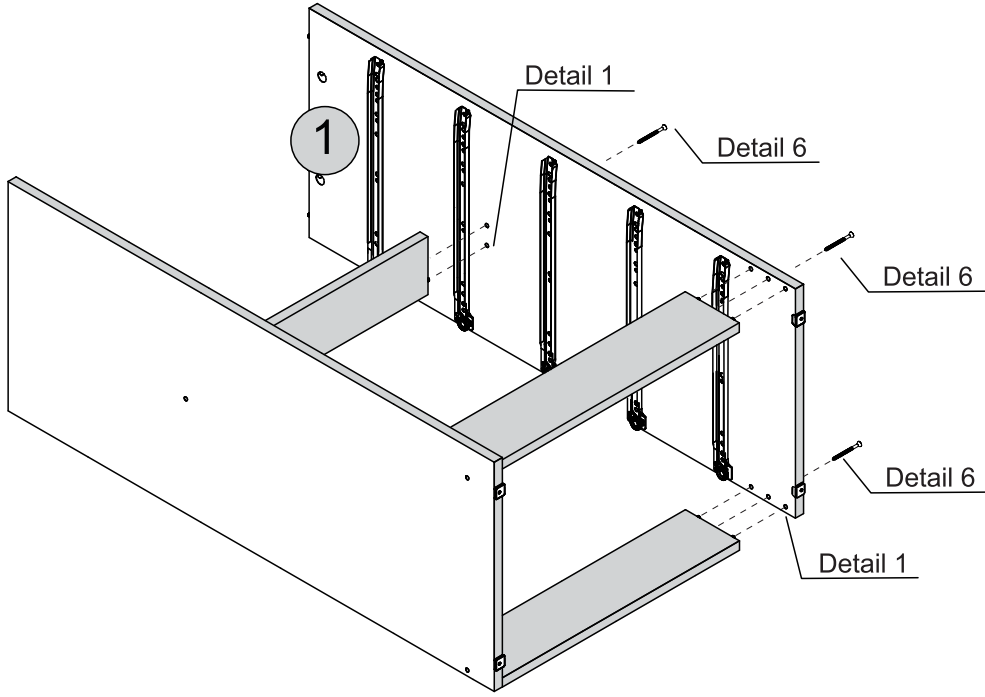
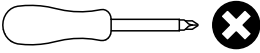


### HARDWARE REQUIRED

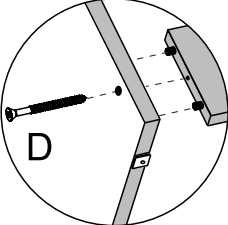
D  Ø4,0 x 45mm 03

K  GLUE 01

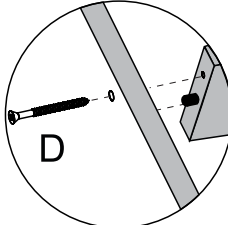
### TOOLS REQUIRED



Detail 1



Detail 6



Detail 6

# STEP 8

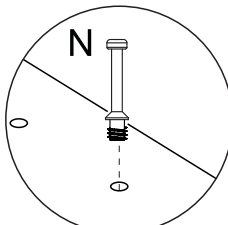
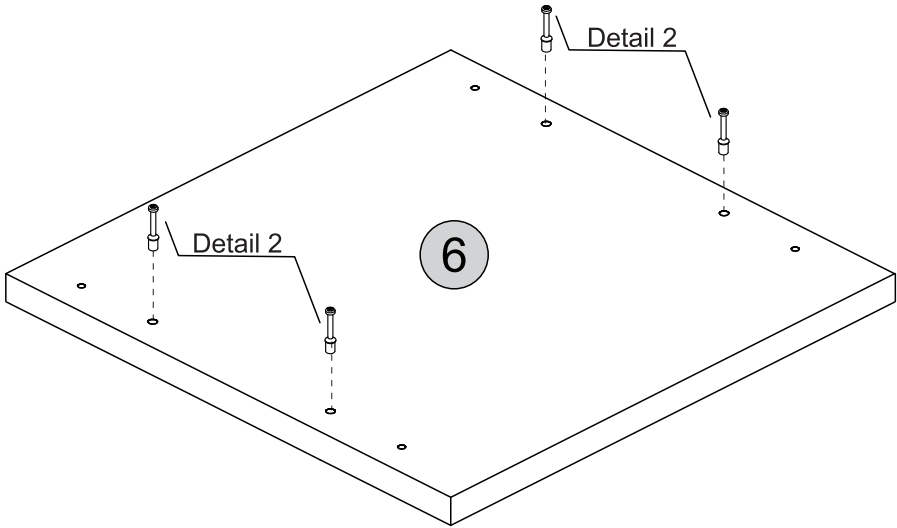
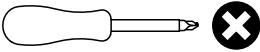
### PARTS REQUIRED

5 - TOP PANEL x1

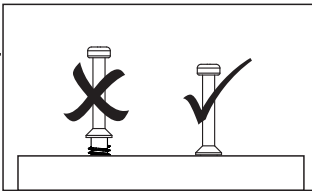
### HARDWARE REQUIRED

L  04

### TOOLS REQUIRED



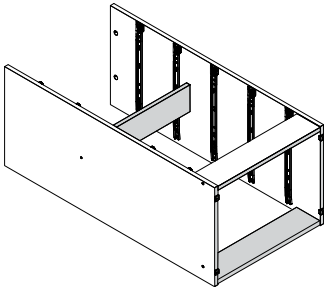
Detail 2



# STEP 9

### PARTS REQUIRED

6 - TOP PANEL x1

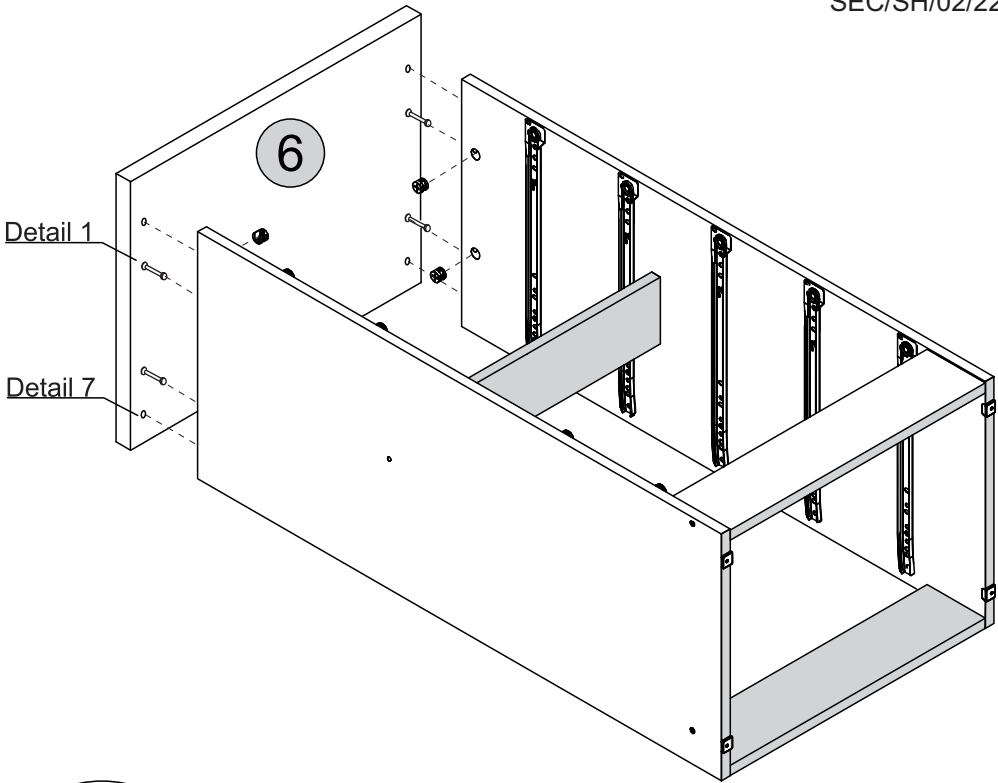
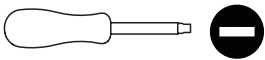


### HARDWARE REQUIRED

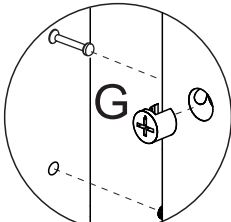
G  04

N  GLUE 01

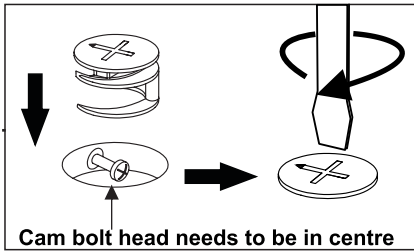
### TOOLS REQUIRED



Detail 1



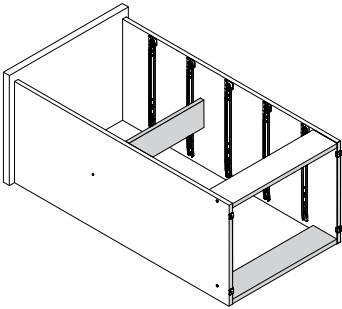
Detail 7



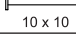
# STEP 10

### PARTS REQUIRED

7 - BACK PANEL x2



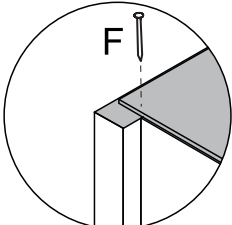
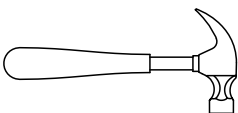
### HARDWARE REQUIRED

F  10 x 10 26

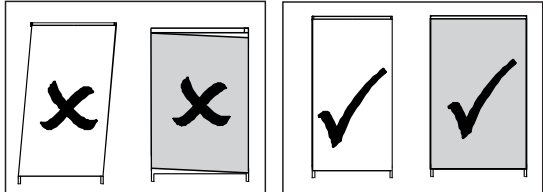
H  Ø3,5 x 12mm 04

P  01

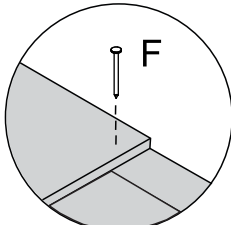
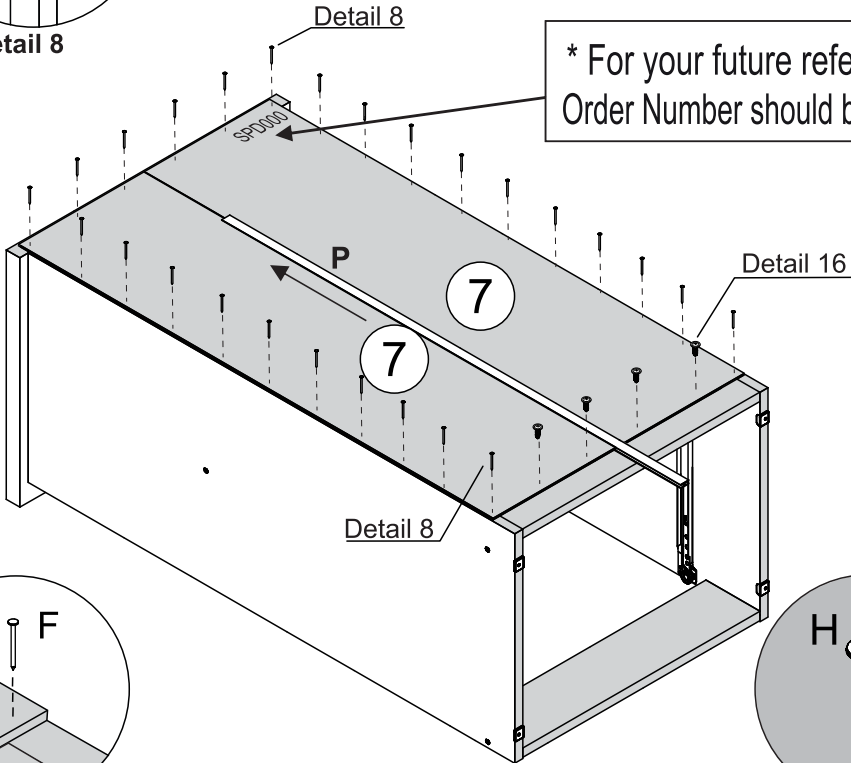
### TOOLS REQUIRED



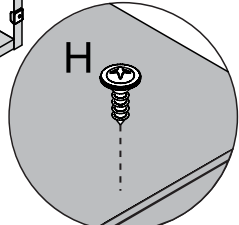
Detail 8



\* For your future reference Order Number should be here



Detail 8



Detail 16

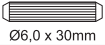




# STEP 11

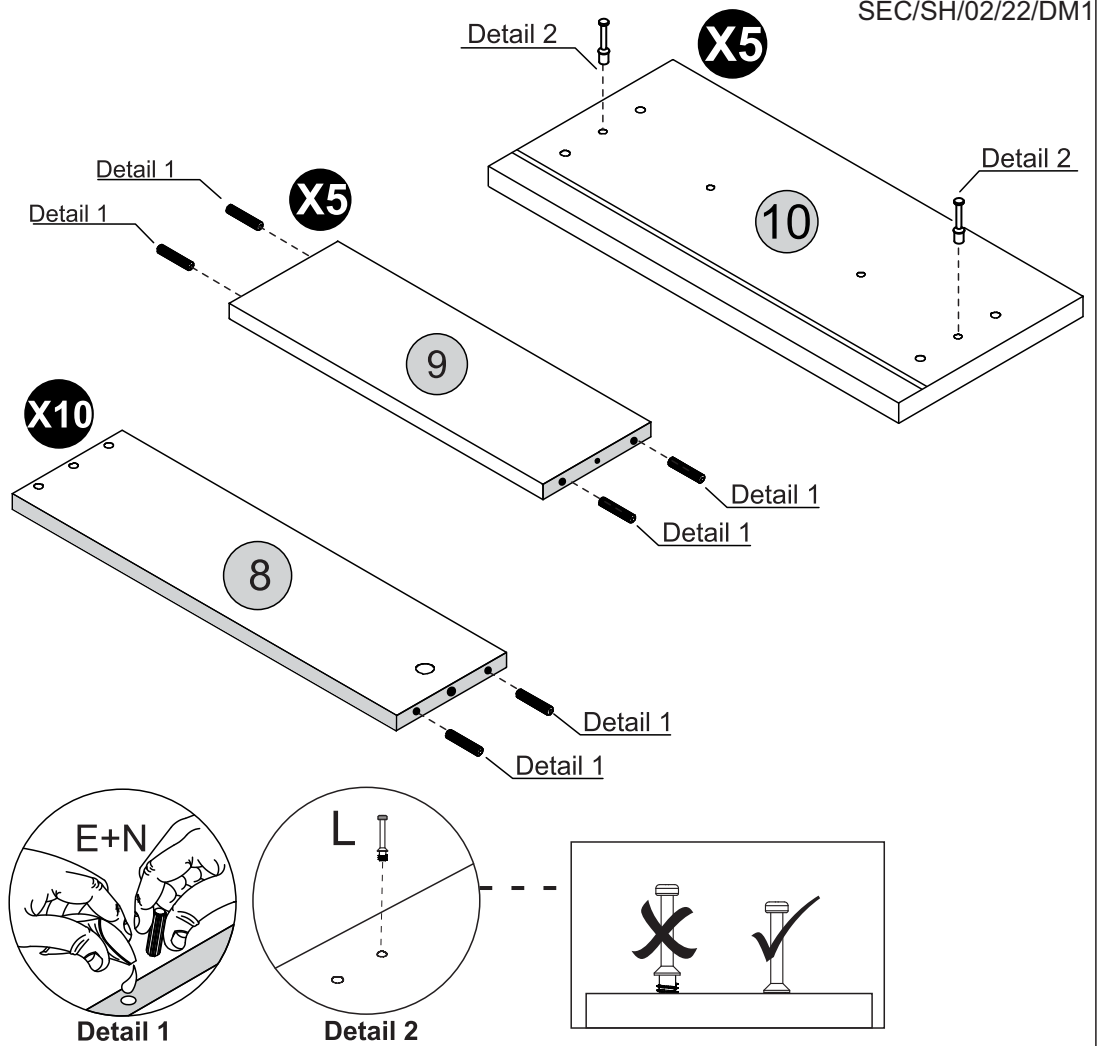
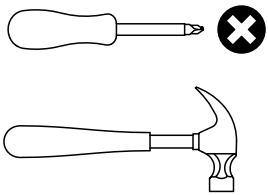
## PARTS REQUIRED

8 - DRAWER SIDE	x10
9 - DRAWER BACK PANEL	x5
10 - DRAWER FRONT	x5

## HARDWARE REQUIRED

E		40
L		10
N		01

## TOOLS REQUIRED



# STEP 12

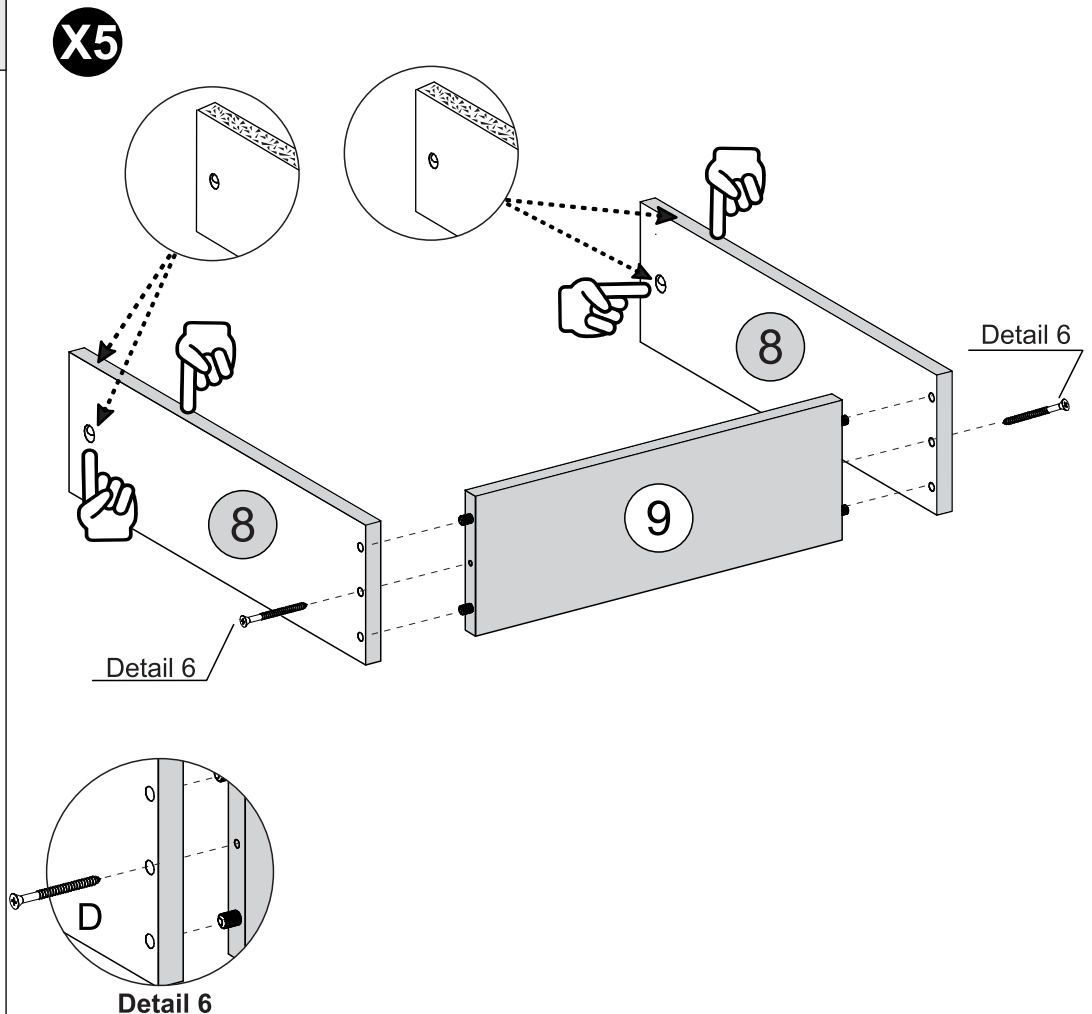
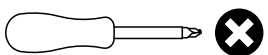
## PARTS REQUIRED

8 - DRAWER SIDE	x10
9 - DRAWER BACK PANEL	x5

## HARDWARE REQUIRED

D		10
---	---	----

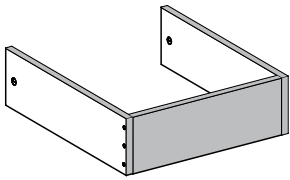
## TOOLS REQUIRED



# STEP 13

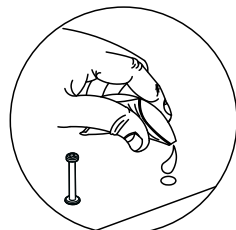
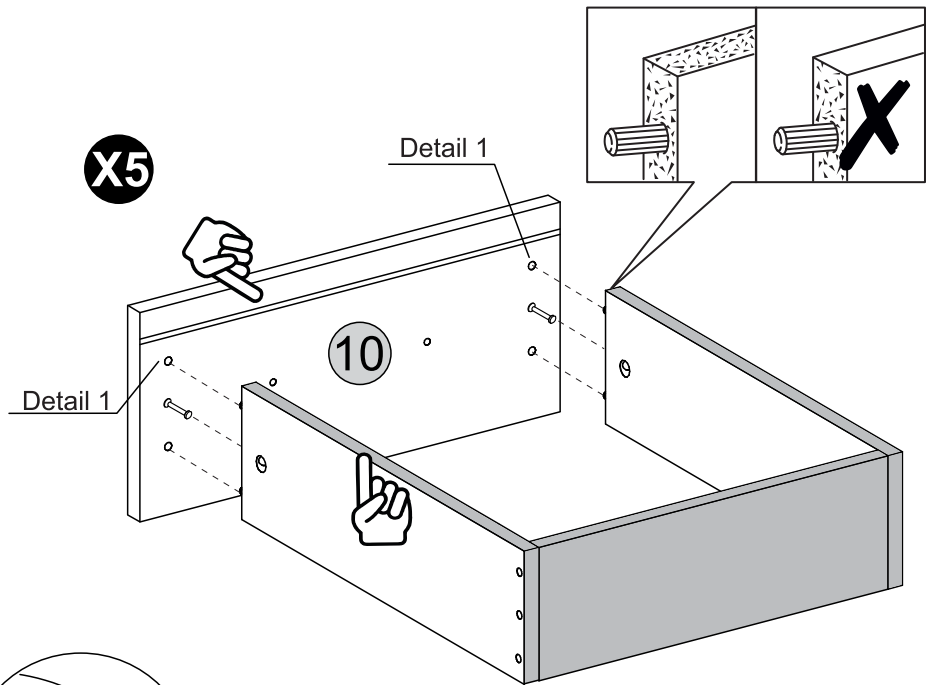
## PARTS REQUIRED

10 - DRAWER FRONT x5



## HARDWARE REQUIRED

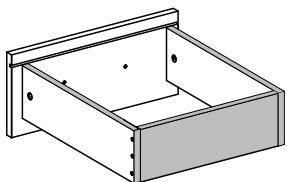
N  01



Detail 1

# STEP 14

## PARTS REQUIRED

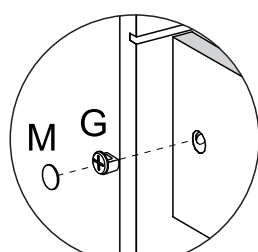
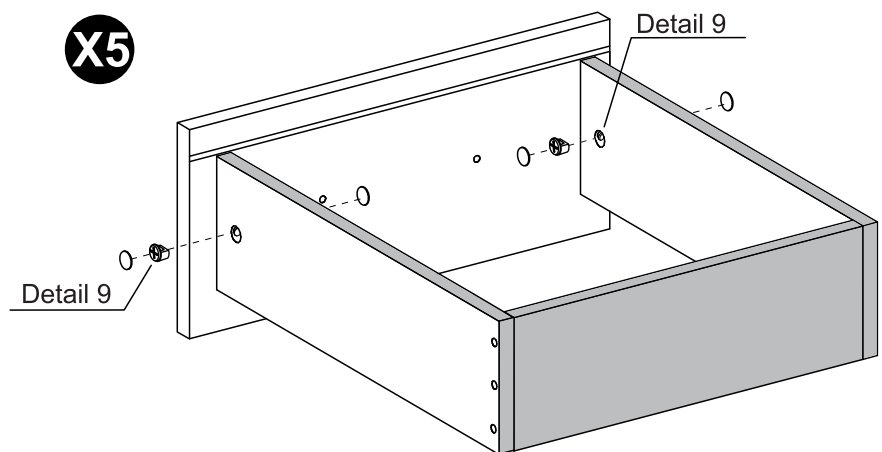
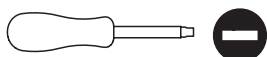


## HARDWARE REQUIRED

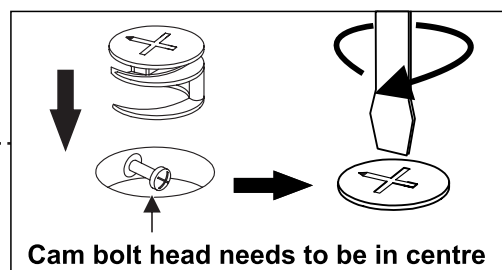
G  10

M  20

## TOOLS REQUIRED



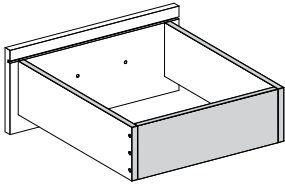
Detail 9



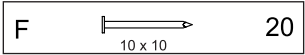
# STEP 15

## PARTS REQUIRED

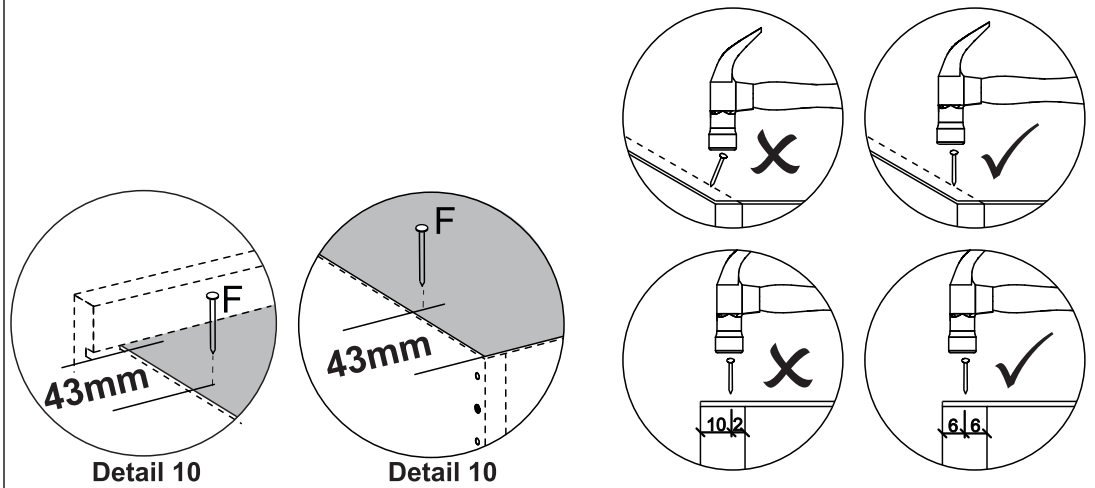
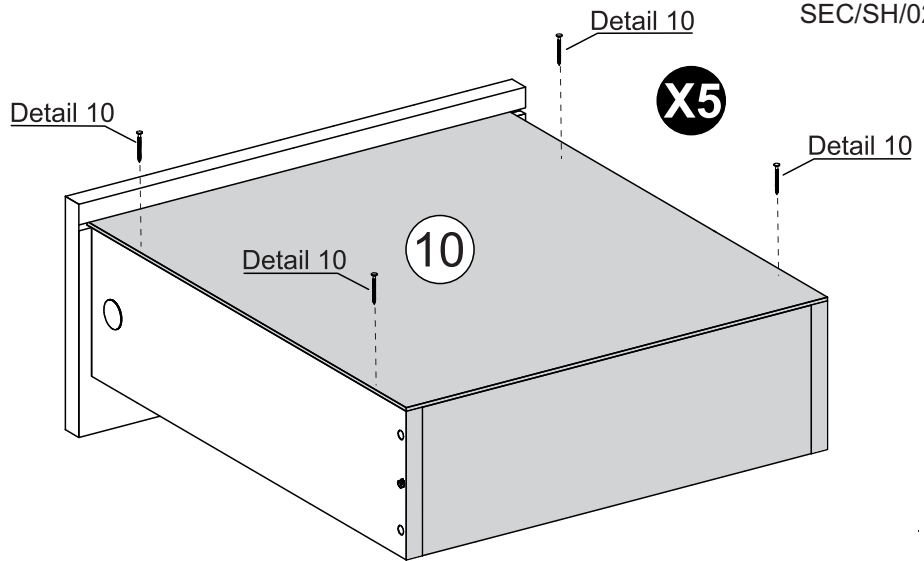
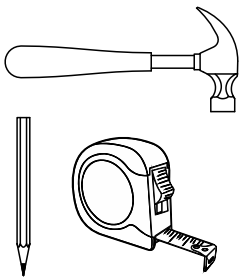
10 - DRAWER BOTTOM x5



## HARDWARE REQUIRED

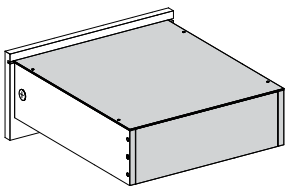


## TOOLS REQUIRED

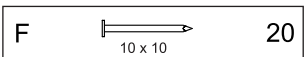


# STEP 16

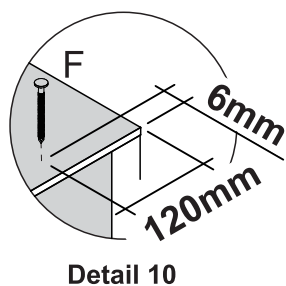
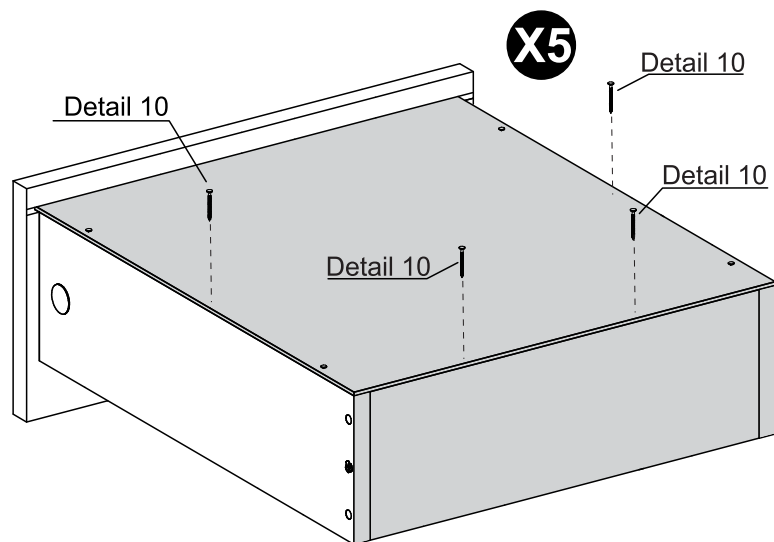
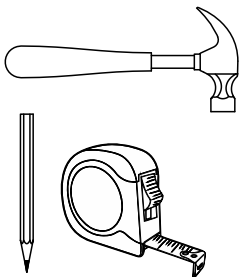
## PARTS REQUIRED



## HARDWARE REQUIRED

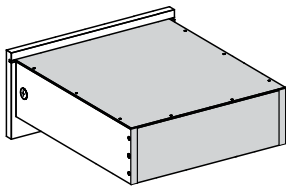


## TOOLS REQUIRED

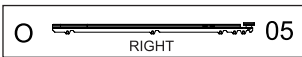
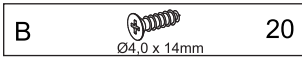


# STEP 17

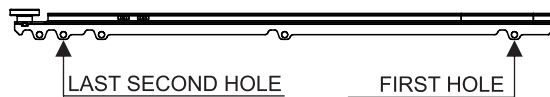
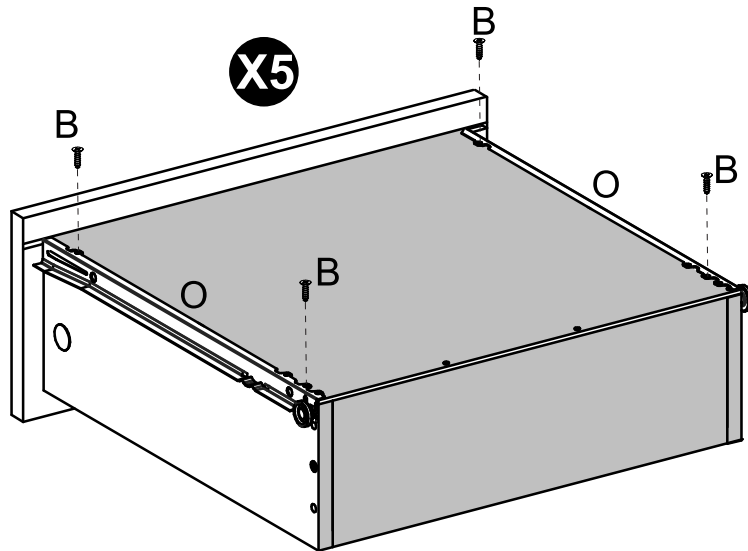
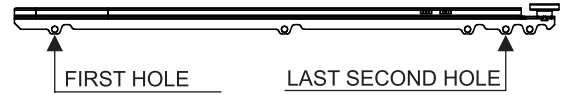
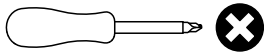
**PARTS REQUIRED**



**HARDWARE REQUIRED**

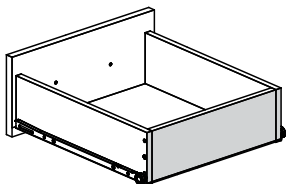


**TOOLS REQUIRED**



# STEP 18

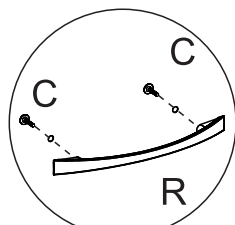
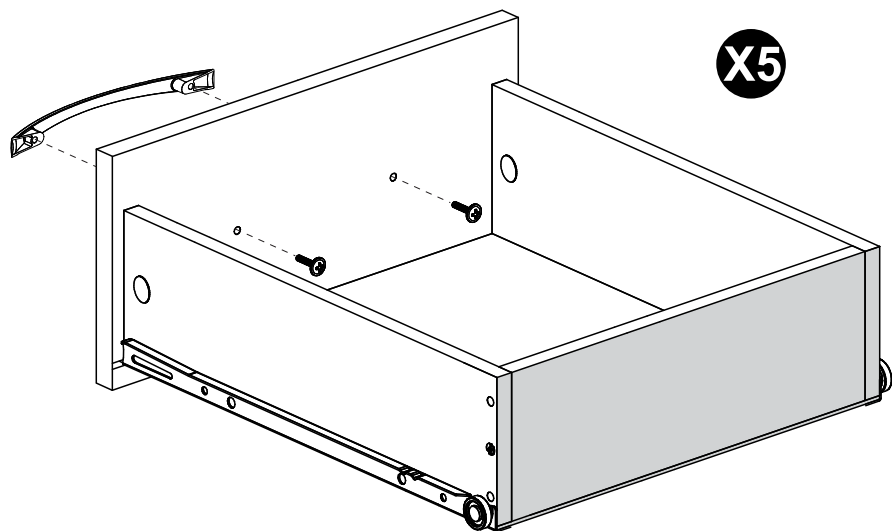
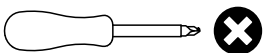
**PARTS REQUIRED**



**HARDWARE REQUIRED**



**TOOLS REQUIRED**



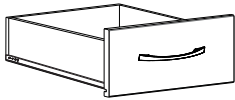
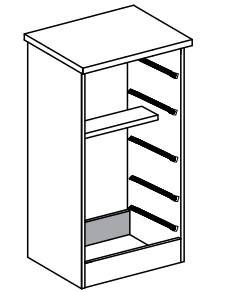
Detail 2

# STEP 19

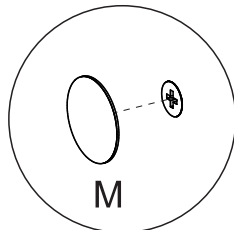


See the last page

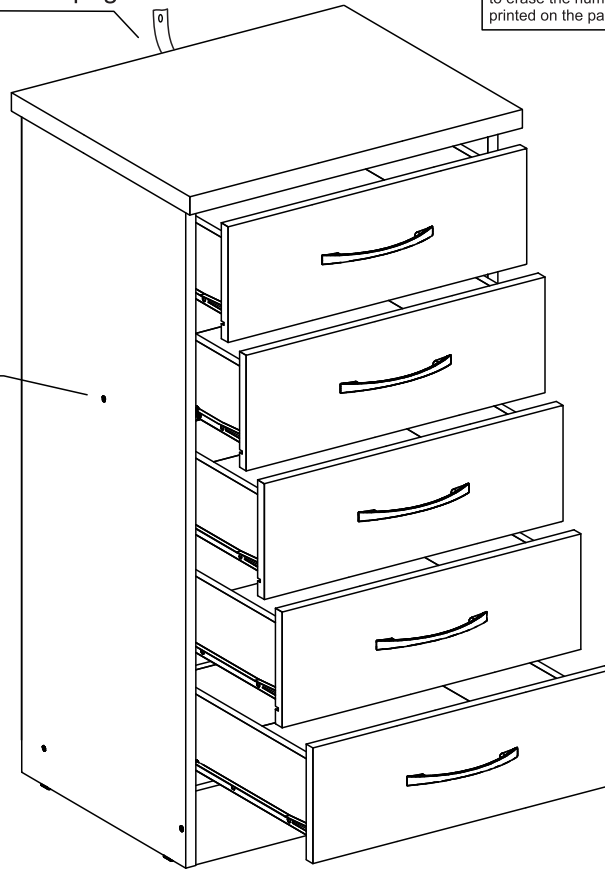
**TIP**  
 If desired, after assembly use an alcohol cleaner to erase the number printed on the parts.



**HARDWARE REQUIRED**

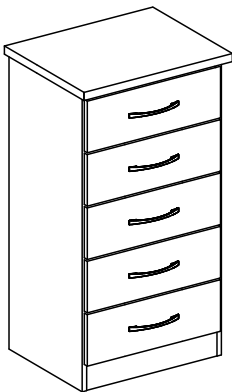


Detail 11

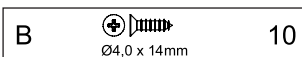


# STEP 20

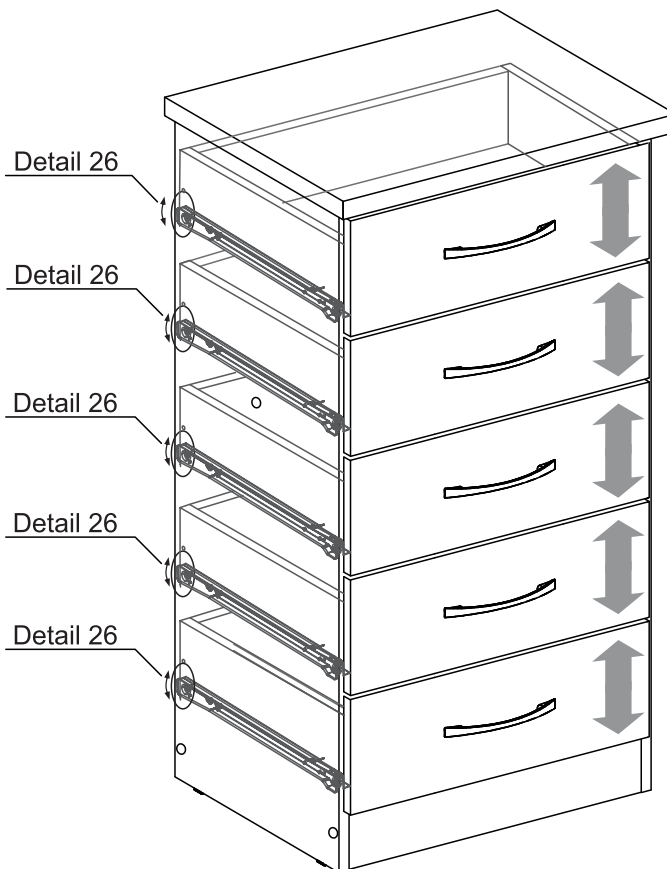
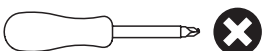
**PARTS REQUIRED**



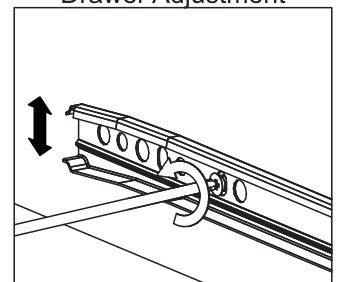
**HARDWARE REQUIRED**



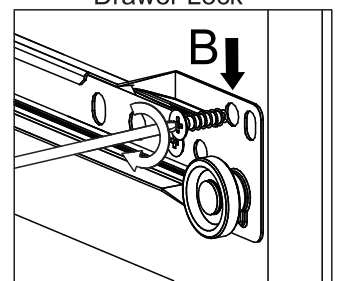
**TOOLS REQUIRED**



**Drawer Adjustment**



**Drawer Lock**



Detail 26

## WARNING

**Serious or fatal injuries can occur from furniture tipping over. To prevent the furniture from tipping over we recommend that it is permanently fixed to the wall.**

Wall fixings are not supplied with this product as different wall materials require different types of fixing devices.

Please make sure you use fixings suitable for the walls in your home.

