

CMG509



Thank you for choosing this furniture.

BEFORE YOU START ASSEMBLY please store the carton at room temperature for 48 hours or more so the contents can acclimatise.

PLEASE RETAIN ALL PACKING UNTIL YOU HAVE COMPLETED ASSEMBLY.

Information about your furniture.

Our pine furniture ranges have been carefully crafted from solid wood and MDF. Each piece of wood has unique characteristics such as knots, variances in shading and graining. These are part of the natural character of the furniture itself.

Caring for your furniture.

Extreme temperature can cause slight movements in the wood itself so please avoid placing your furniture close to radiators or other direct sources of heat. Humidity should also be avoided.

Please avoid exposing your furniture to continued bright sunlight as it can affect the colour.

Any fluid spills should be removed as quickly as possible.

Always lift your furniture when moving as dragging may cause damage to your furniture or flooring.

After care.

Wipe the surfaces with a dry cloth and an occasional use of a normal household furniture polish. We also recommend you use household spray polish occasionally on the drawer grooves and runners as this will aid use. Please do not use detergents or chemicals on your furniture.

PARTS LIST

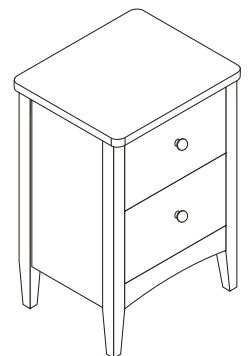
1 1pc	2 1pc	3 1pc	4 1pc	
5 1pc	6 1pc	7 1pc	8 1pc	
9 2pcs	10 2pcs	11 2pcs	12 2pcs	
13 2pcs	14 1pc	15 1pc	16 1pc	
A 6x35mm 28pcs	B 10x15mm 28pcs	C 6x30mm 12pcs	D 3x12mm 20pcs	E 4x30mm 8pcs
F 4x25mm 2pcs	G 4x16mm 2pcs	H 2pcs	K 2sets	J 2.5x12mm 10pcs

BEFORE YOU START ASSEMBLY

Please check that you have all the correct parts and fittings as detailed in the Parts List above.

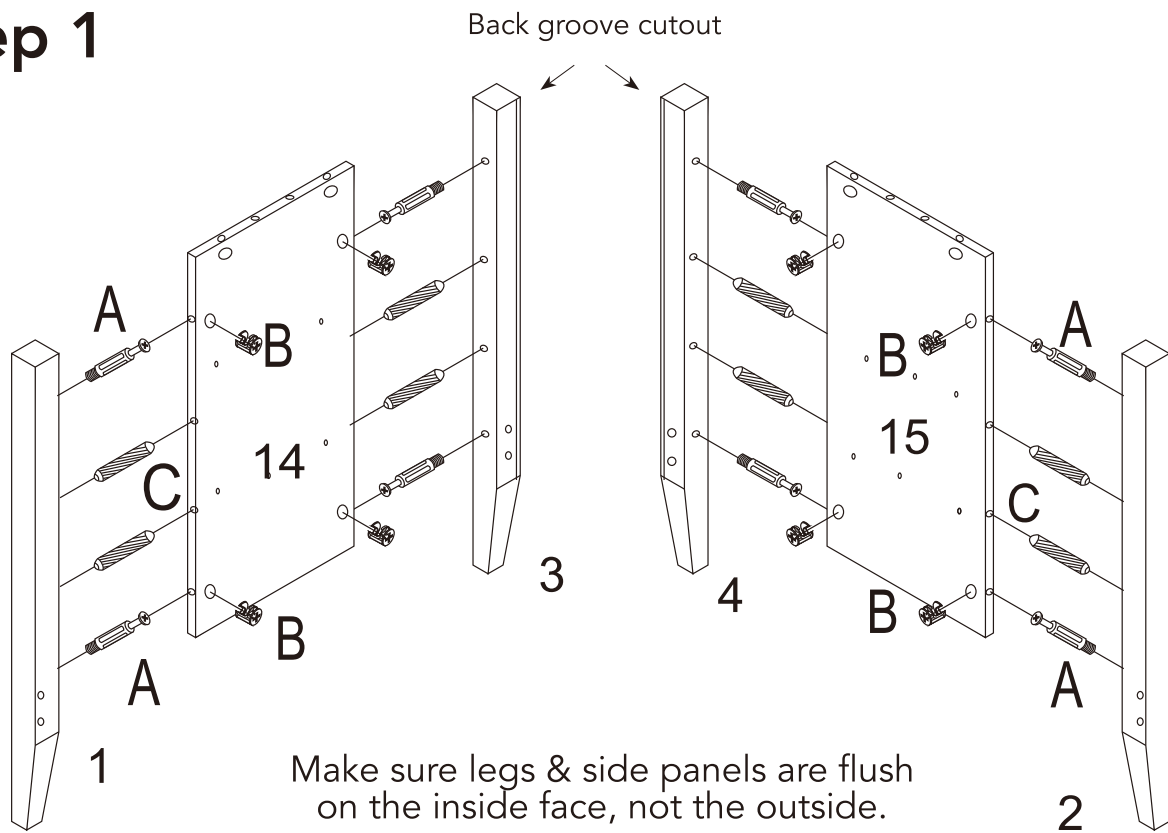
In the unlikely event that you require to order spare parts please refer to your delivery note for details of how to order on our Parts Website.

BATCH NUMBER

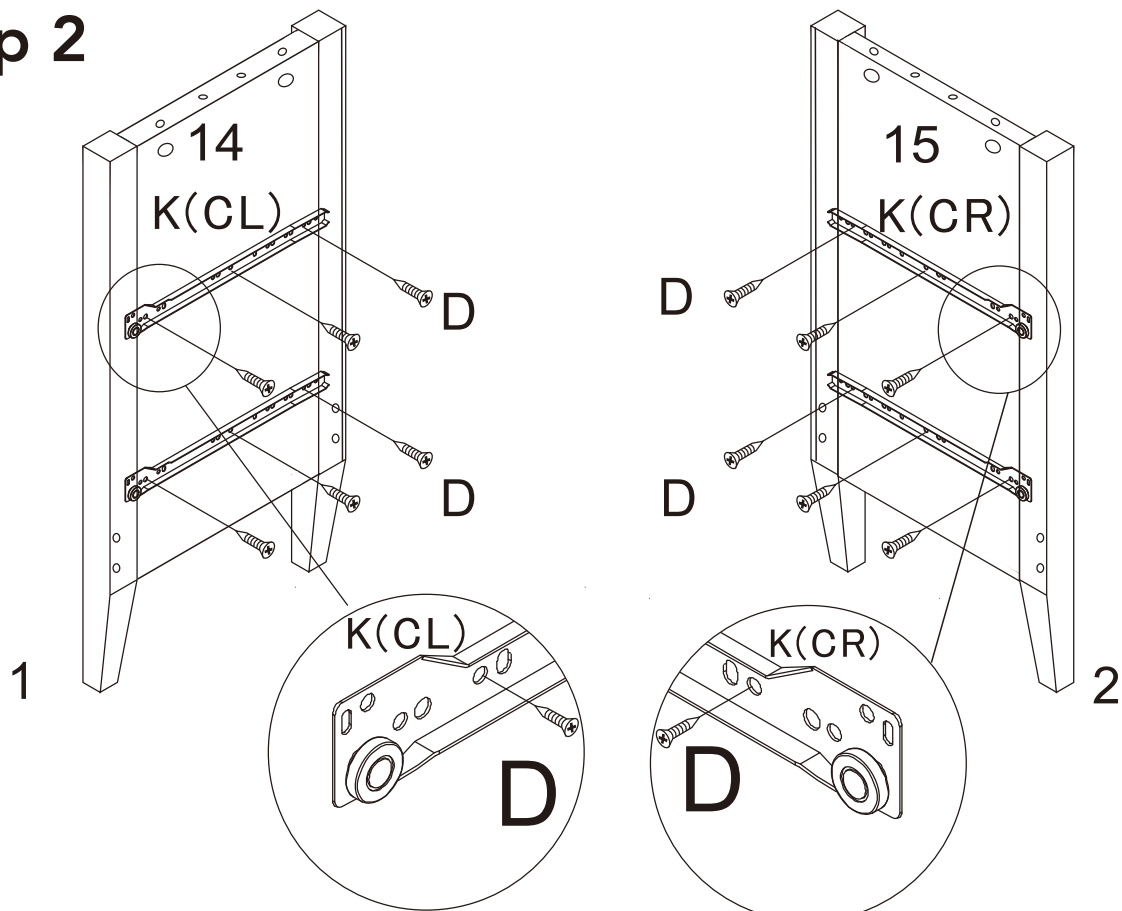


PLEASE RETAIN THIS INSTRUCTION LEAFLET FOR FUTURE REFERENCE.

Step 1

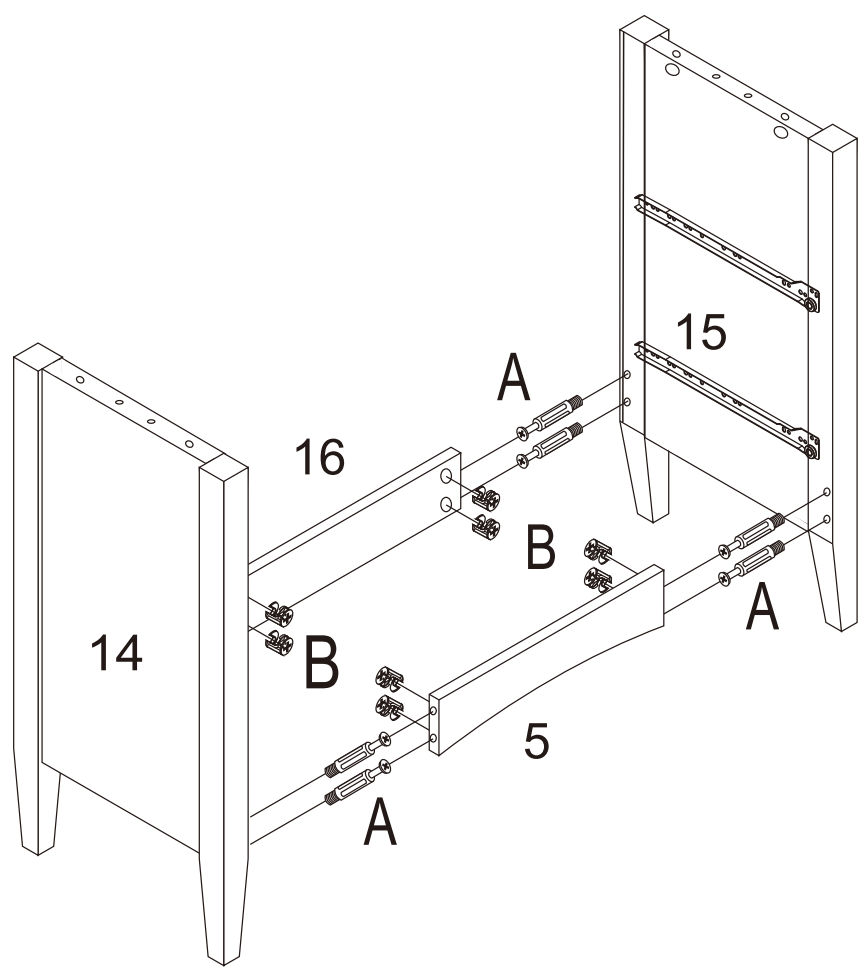


Step 2

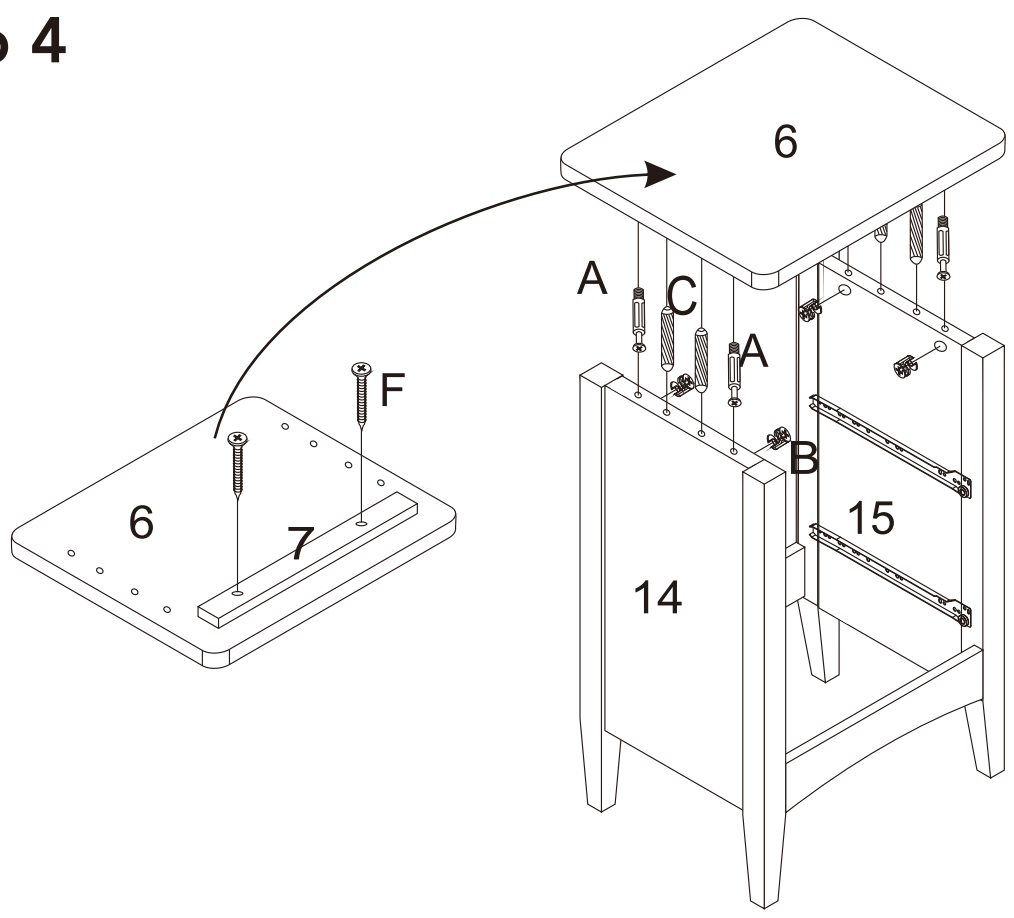


PLEASE ENSURE RUNNERS ARE FIXED TO THE CORRECT SIDES.
LEFT SIDE IS MARKED ON COMPONENT (CL) AND RIGHT SIDE IS MARKED (CR).

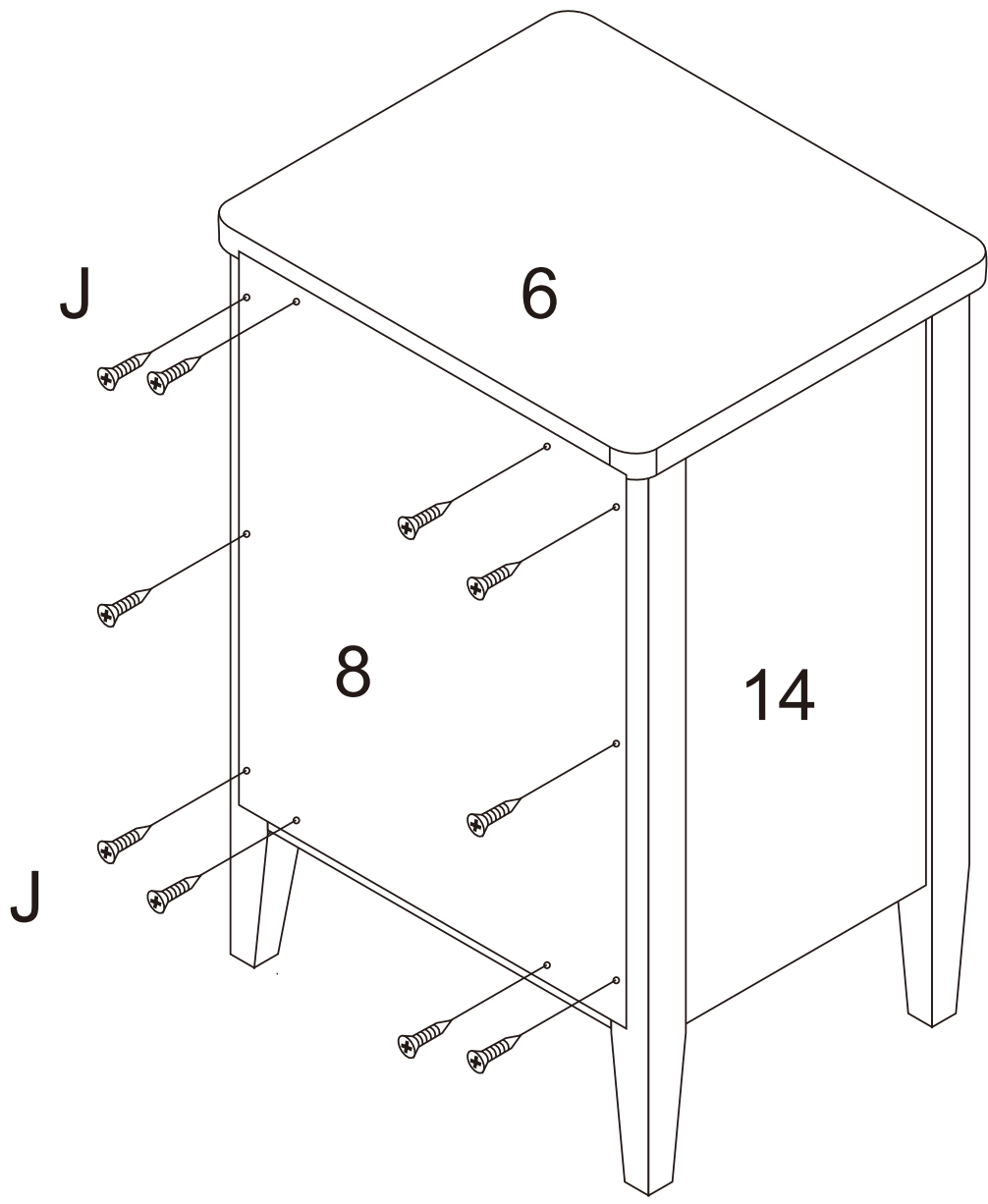
Step 3



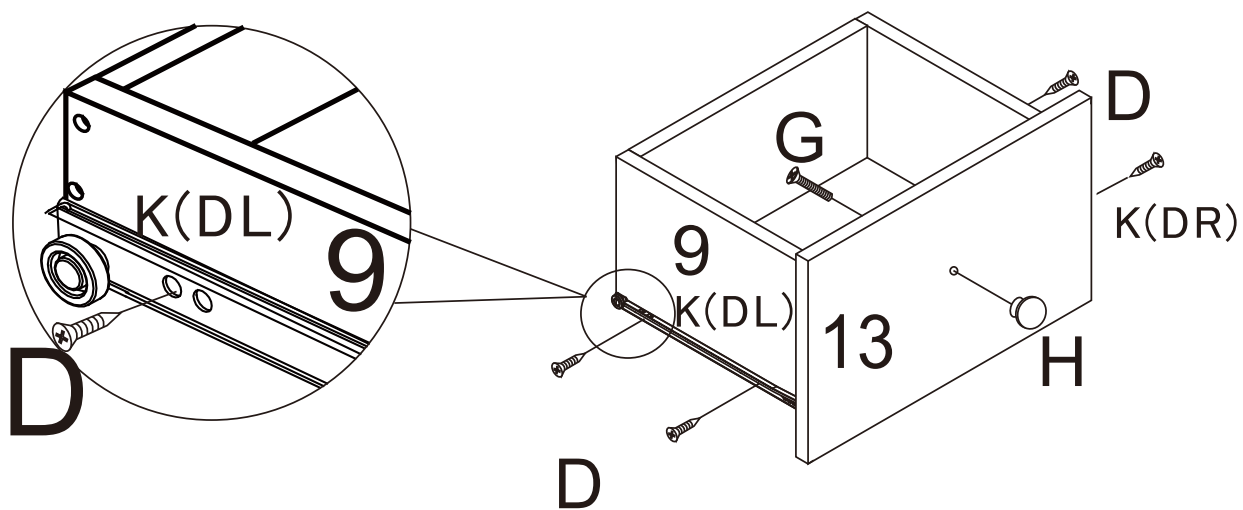
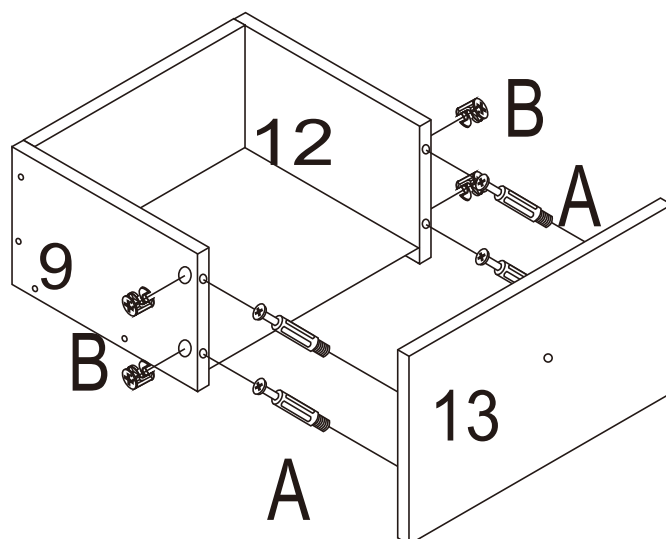
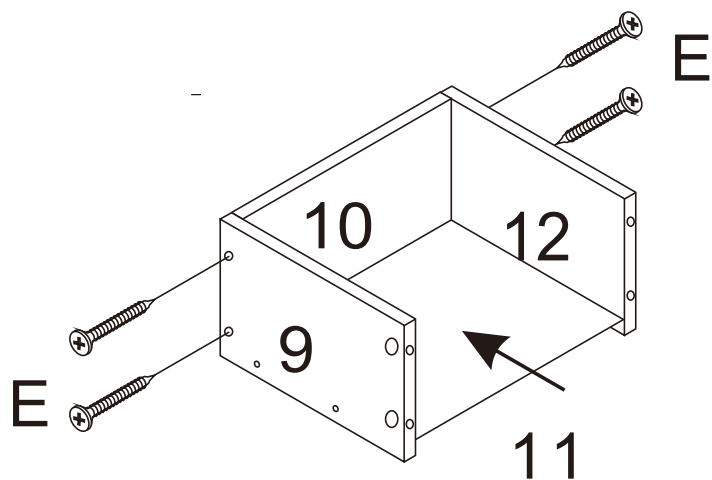
Step 4



Step 5

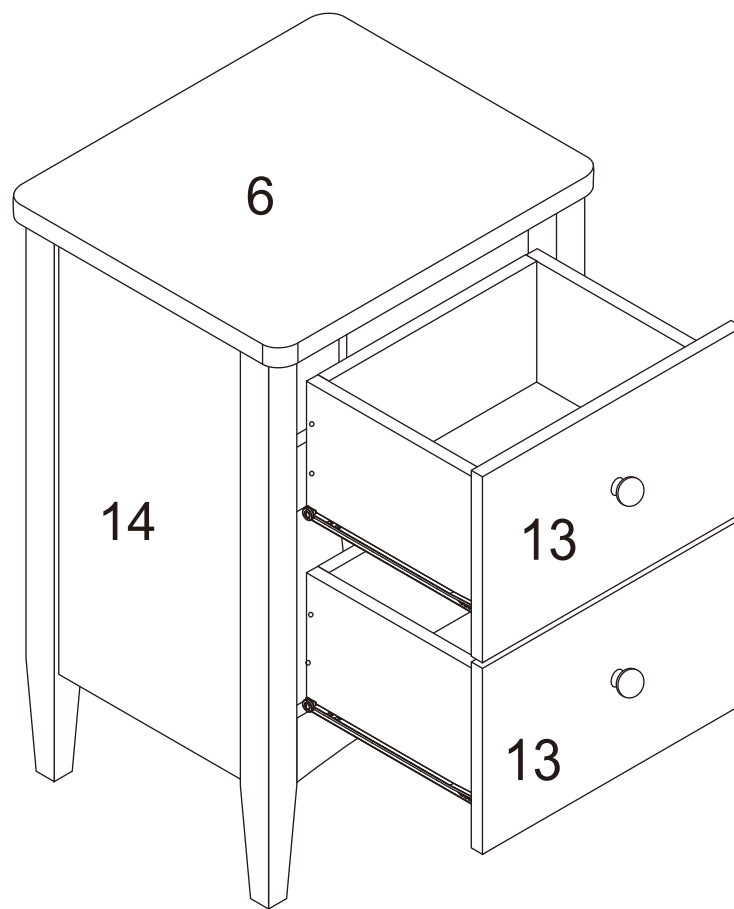


Step 6

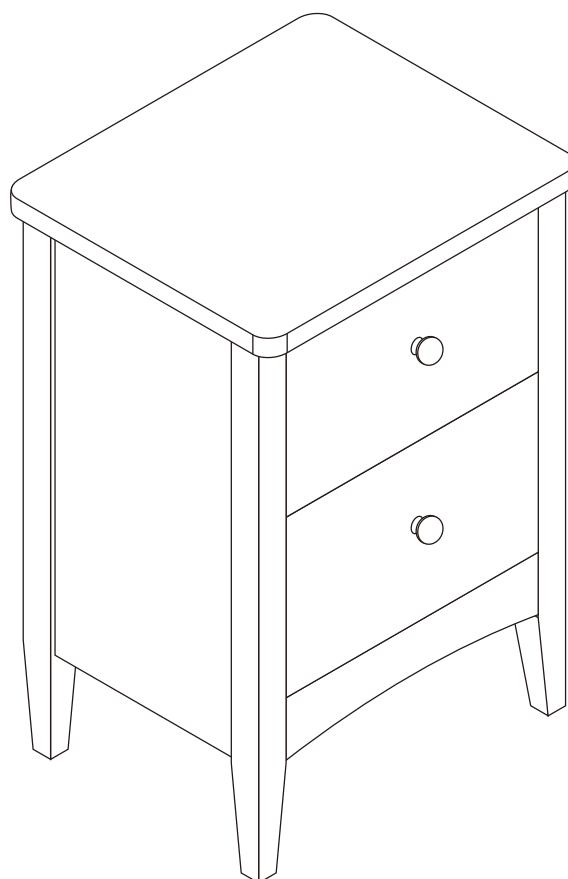


PLEASE ENSURE RUNNERS ARE FIXED TO THE CORRECT SIDES OF DRAWER. LEFT SIDE IS MARKED ON COMPONENT (DL) AND RIGHT SIDE IS MARKED (DR).

Step 7



Step 8



IMPORTANT NOTICE

Please avoid opening all drawers or doors simultaneously as this could cause your furniture to fall forwards. Where there is a risk of this occurring, especially in environments with children or uneven floors we recommend that this item of furniture is attached to your wall using appropriate fixings (supplied).

WARNING: CHECK FOR HIDDEN PIPES AND CABLES BEFORE DRILLING.

IMPORTANT: IF YOUR WALLS ARE NOT SOLID LIKE BRICK OR STONE, YOU WILL REQUIRE SPECIALIST FITTINGS (NOT SUPPLIED).

- Place fixing strip against the wall and mark position for drilling hole.
- Drill hole in your wall to a depth of 30mm using a 6mm drill bit. If the surface of your wall is soft and crumbly, we would advise you to use a 5mm drill bit for a tighter fit.
- Insert plug into hole with end flush to the wall surface.
- Attach fixing strip to the wall using the 25mm screw + washer and securely tighten.
- Pre-drill small pilot hole on the back edge of the furniture top using a 2mm drill bit. Attach the other end of fixing strip to the back edge of the furniture top using the 14mm screw + washer and securely tighten.