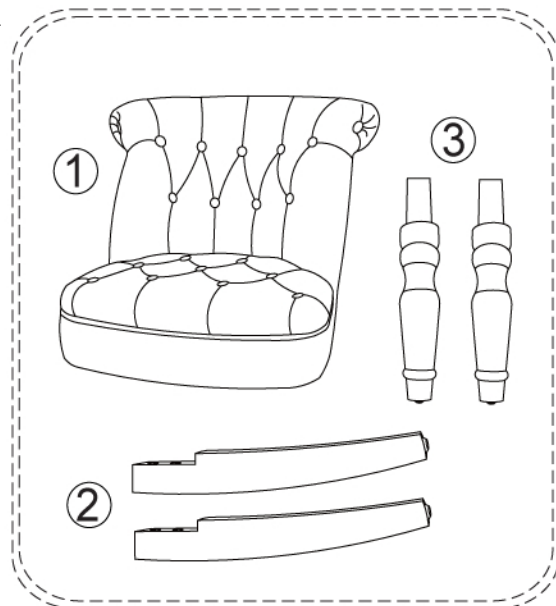


# ASSEMBLY INSTRUCTION

PLEASE ENSURE ALL LEGS ARE LEVEL ON YOUR FLOOR BEFORE FULLY TIGHTENING THE SCREWS.  
ALL CHAIRS HAVE SOME VARIANCE IN THE ASSEMBLY PROCESS TO ALLOW FOR UNEVENNESS IN THE MAJORITY OF DOMESTIC HOME FLOORS.

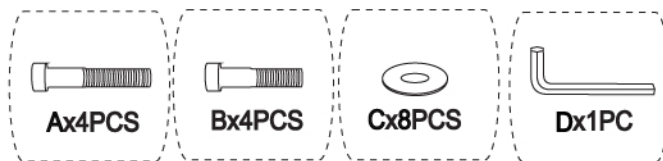
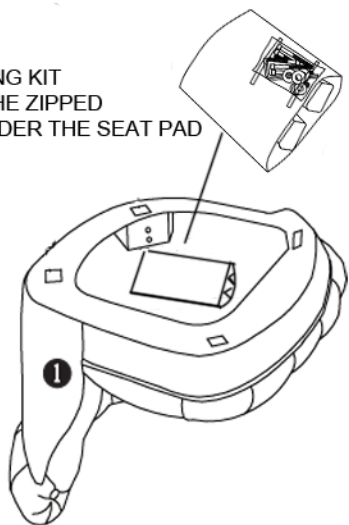
Please read before you continue further.

PLEASE KEEP THE ORIGINAL PACKAGING UNTIL THE ITEM IS FULLY ASSEMBLED AND IN PLACE. IN THE UNLIKELY EVENT THAT YOU NEED TO RETURN YOUR PRODUCT, IT MUST BE RETURNED IN ITS ORIGINAL PACKAGING TO AVOID FURTHER DAMAGE. FAILURE TO FOLLOW THESE PROCEDURES, NO RETURNS WILL BE ACCEPTED.

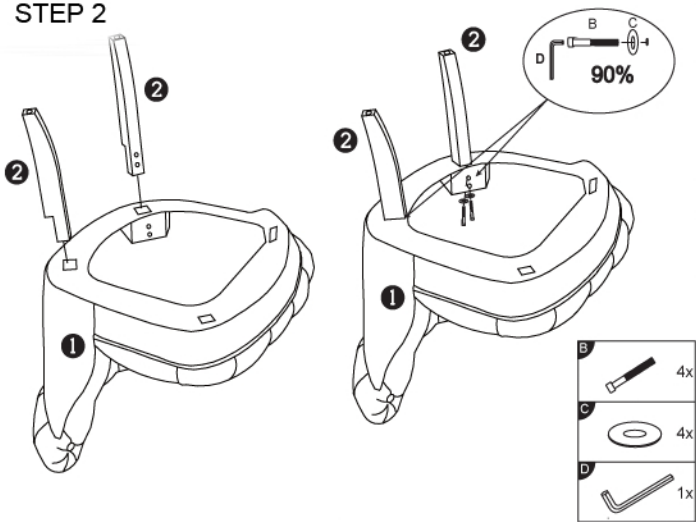


## STEP 1

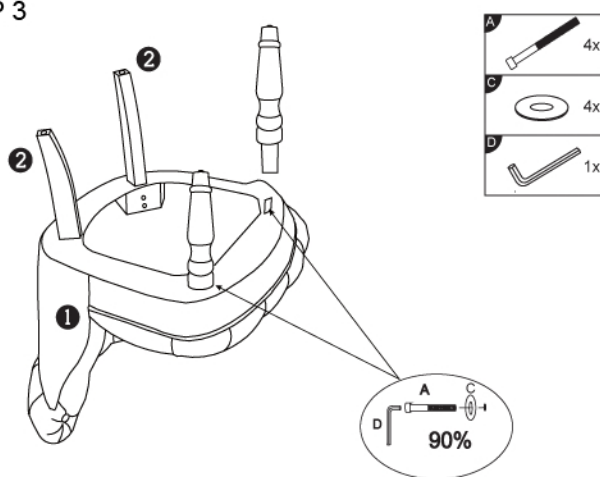
ALL LEGS AND FIXING KIT ARE LOCATED IN THE ZIPPED COMPARTMENT UNDER THE SEAT PAD



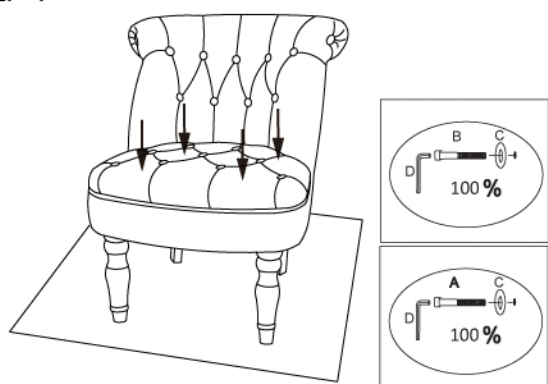
## STEP 2



## STEP 3



## STEP 4



## STEP 5

