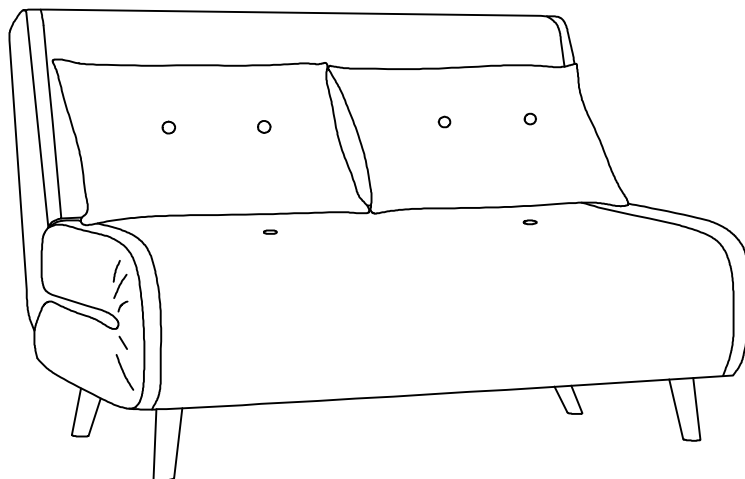


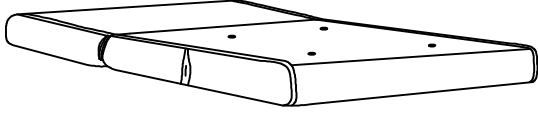
ASSEMBLY INSTRUCTION

IMPORTANT NOTE:

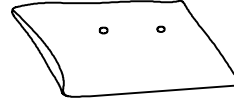
- ** PLEASE READ BEFORE YOU CONTINUE FURTHER.
- ** PLEASE KEEP THE ORIGINAL PACKAGING UNTIL THE ITEM IS FULLY ASSEMBLED AND IN PLACE. IN THE UNLIKELY EVENT THAT YOU NEED TO RETURN YOUR PRODUCT , IT MUST BE RETURNED IN ITS ORIGINAL PACKAGING TO AVOID FURTHER DAMAGE. FAILURE TO FOLLOW THESE PROCEDURES , NO RETURNS WILL BE ACCEPTED .
- ** CAREFULLY CHECK THAT YOU HAVE ALL THE COMPONENTS PRIOR TO ASSEMBLY.
- ** UNPACK AND ASSEMBLE THIS FURNITURE ON A CLEAN, FLAT, PROTECTIVE SURFACE IN THE ROOM IT WILL BE USED.
- ** WE RECOMMEND THAT THE PACKAGING IS USED TO PROTECT THE SURFACES DURING ASSEMBLY.
- ** SAVE ALL PACKING MATERIAL UNTIL ASSEMBLY IS COMPLETE TO AVOID ACCIDENTLY DICARDING SMALLER PARTS OR HARDWARE.
- ** DO NOT FULLY TIGHTEN ALL SCREWS UNTIL THE SOFA BED IS COMPLETELY ASSEMBLED.
- ** IT MAY BE NECESSARY TO TIGHTEN ANY FITTINGS FROM TIME TO TIME DEPENDING ON USE, THIS IS NORMAL WITH SELF-ASSEMBLY FURNITURE.
- ** PLEASE KEEP THESE INSTRUCTIONS SAFE IN CASE YOU NEED THEM AGAIN IN THE FUTURE.



PARTS AND HARDWARE



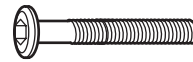
A: 1PC



B: 2PCS



C: 4PCS



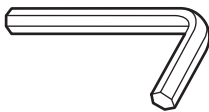
D : 1/4*30MM 16 pcs



E : 16 PCS



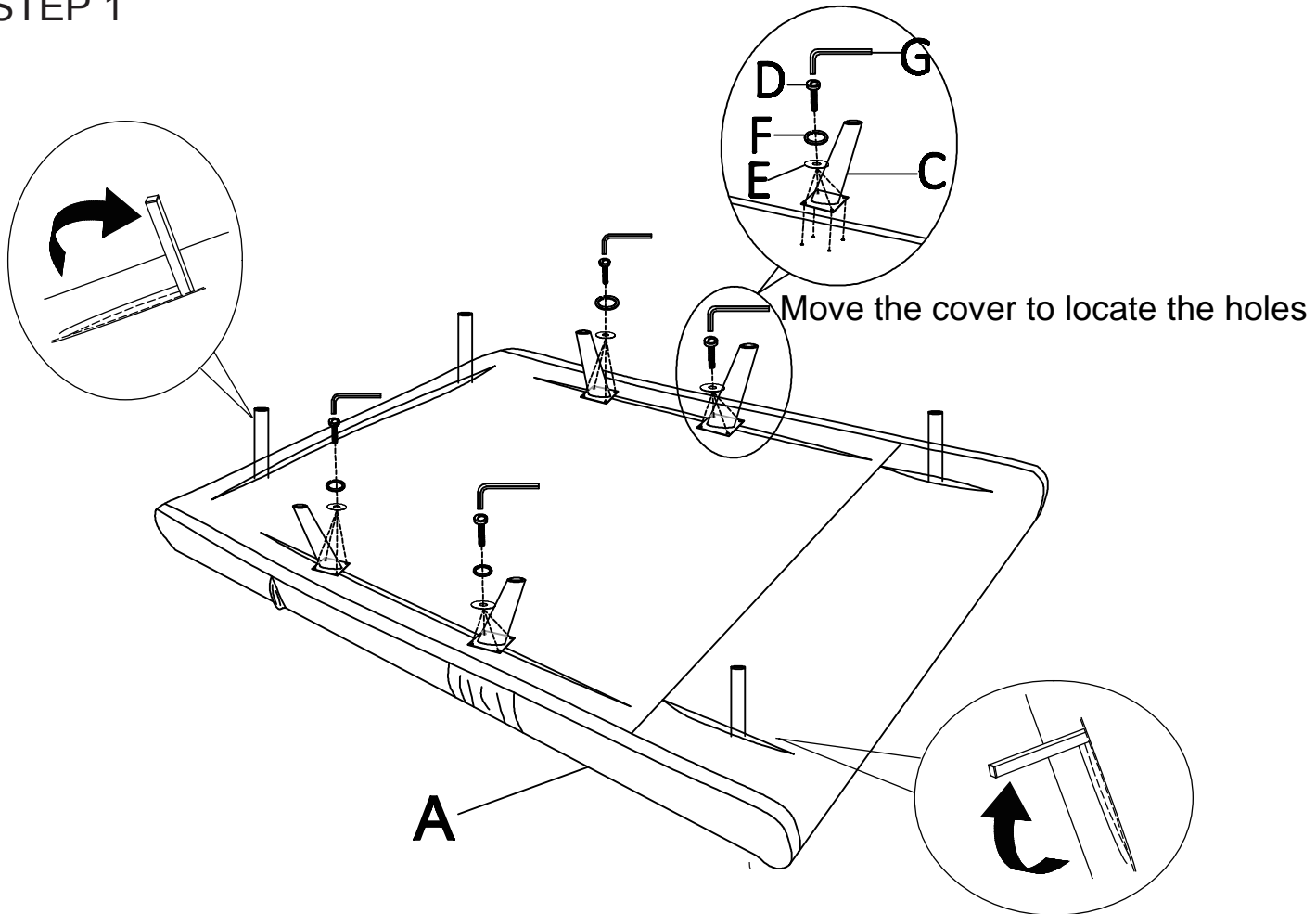
F: 16 PCS



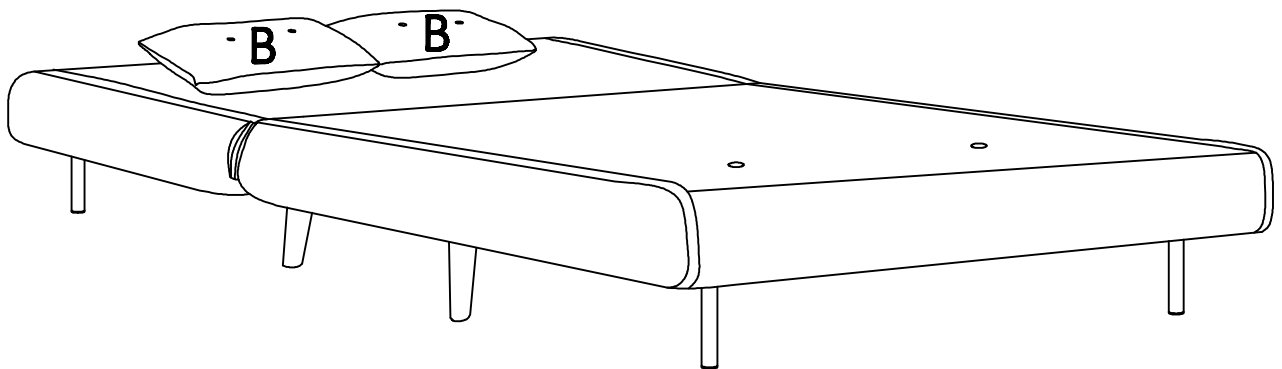
G: 1 PC

ASSEMBLY INSTRUCTIONS

STEP 1

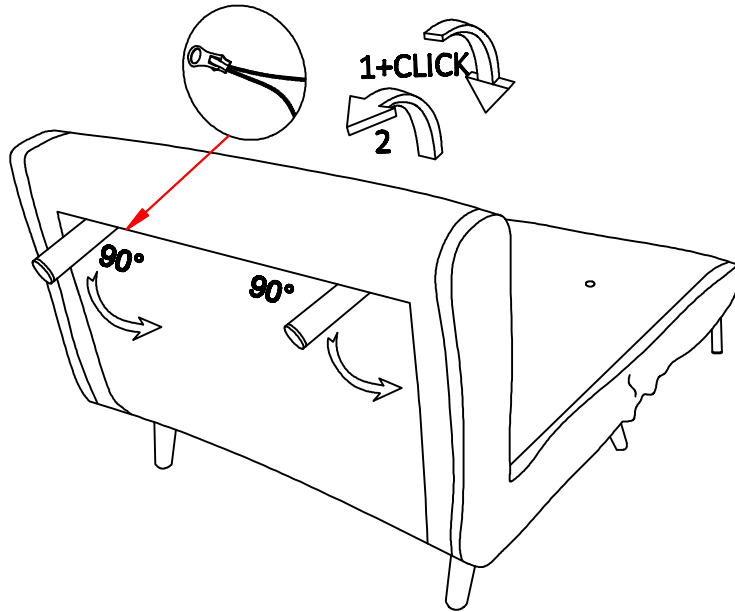


STEP 2

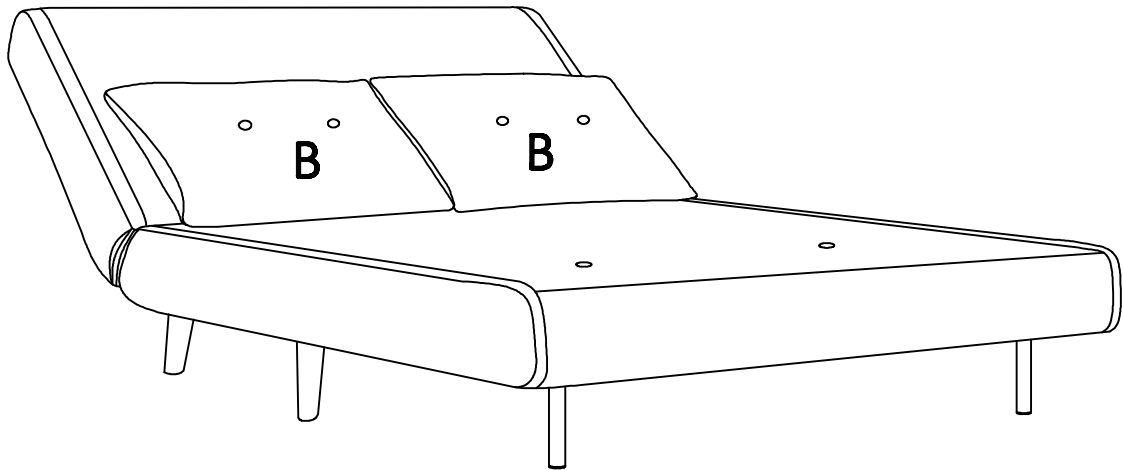


ASSEMBLY INSTRUCTIONS

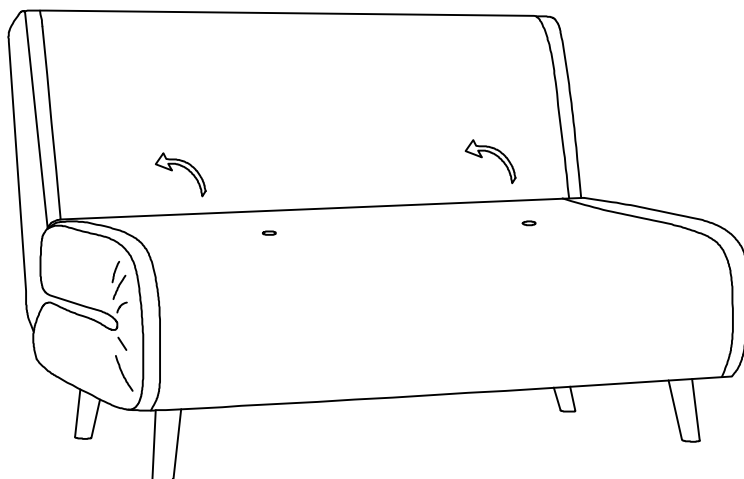
STEP 3



STEP 4

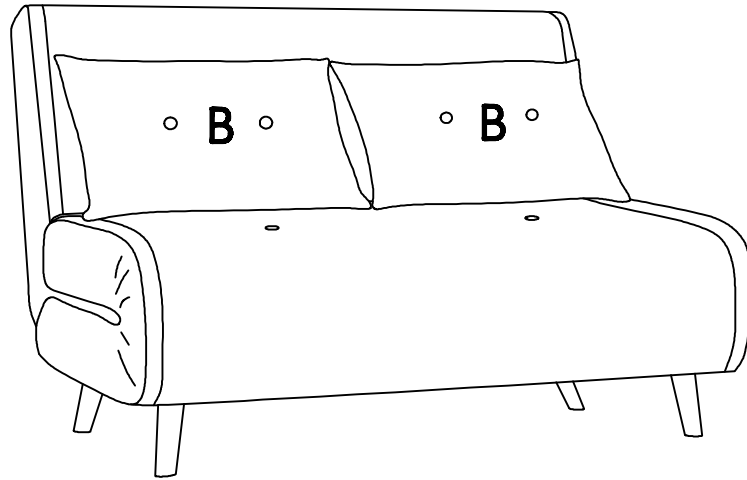


STEP 5



ASSEMBLY INSTRUCTIONS

STEP 6



FINISH

FABRIC CARE GUIDE

To avoid the colour on your fabric fading, please keep your piece of furniture out of direct sunlight
Velvet can be prone to slight marking caused by pressure or in use, these can be removed with a soft brush or gentle steaming
Do not use harsh detergents or cleaning fluids on your fabric to clean stains, use a damp cloth (water only)
To remove dust, please use the soft brush attachment on a Vacuum Cleaner.