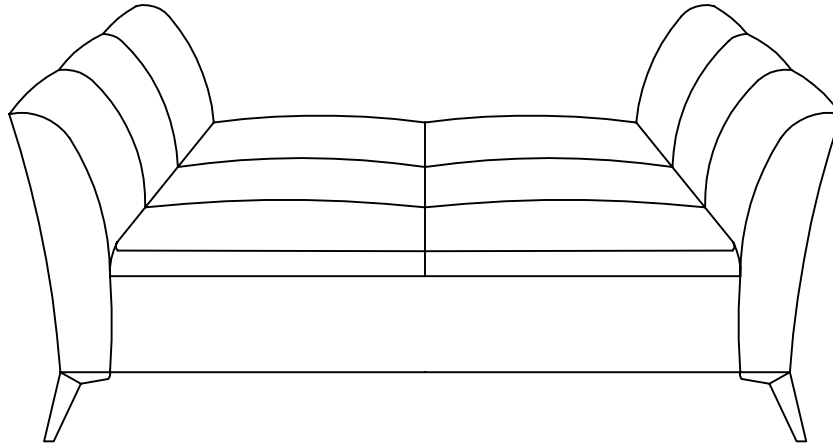


PETTINE OTTOMAN STORAGE BENCH

Thank you for purchasing the Pettine ottoman storage bench Please read the instructions carefully to ensure safe use of the product.



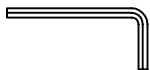
Size : 1210MM X 455MM X 670MM
Colour : GREY / BLUSH PINK

PLEASE READ this sheet prior to assembly to familiarise yourself with the various stages of construction.

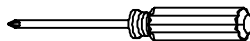
Carefully open the pack supplied and check the contents against the parts and fittings check list. Do not destroy any of the packaging until you are certain that you have all the necessary parts for the assembly.

CAUTION: There are small components used in the construction of this unit. These loose items should be kept away from young children whilst assembling your unit to avoid the danger of choking hazards.

Tools Provided



Tools not Provided



PETTINE OTTOMAN STORAGE BENCH

IMPORTANT - READ CAREFULLY - RETAIN THESE INSTRUCTIONS FOR FUTURE REFERENCE.

INFORMATION

- This product is intended for a maximum weight of 110 kg. Do not exceed this weight
- Due to the size of this product we recommend that it is assembled in the room intended for use
- When you are ready to start, make sure that you have the right tools, plenty of space and a clean, dry area for assembly.
- Unwrap all packaging materials and place the components on top of the carton box or on a clean floor to prevent it from scratching.
- Check the pack and make sure you have all the parts listed.
- Ensure that this product is fully assembled as illustrated before use.
- Check all screws or bolts are tightened and inspect regularly
- Tools included.

WARNINGS

- This product should only be used on firm, level ground.
- Keep small parts out of reach of children.
- Make sure the legs remain in contact with the ground.
- Do not use power tools to construct this product.
- Do not tighten screws until fully assembled.
- Do not over tighten screws or bolts.
- Do not use this product if parts are missing, damaged or worn.
- Do not stand on the product.

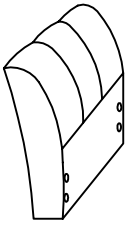
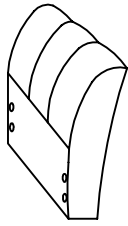
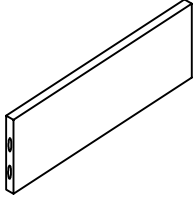
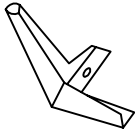
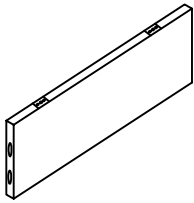
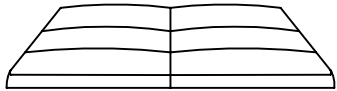
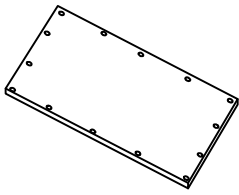
CARE INFORMATION

- Never use scourers, abrasives or chemical cleaners
- To clean wipe with a sponge and warm soapy water. Do not use solvent based cleaners or detergents as they can bleach or damage the product

PETTINE OTTOMAN STORAGE BENCH

Parts

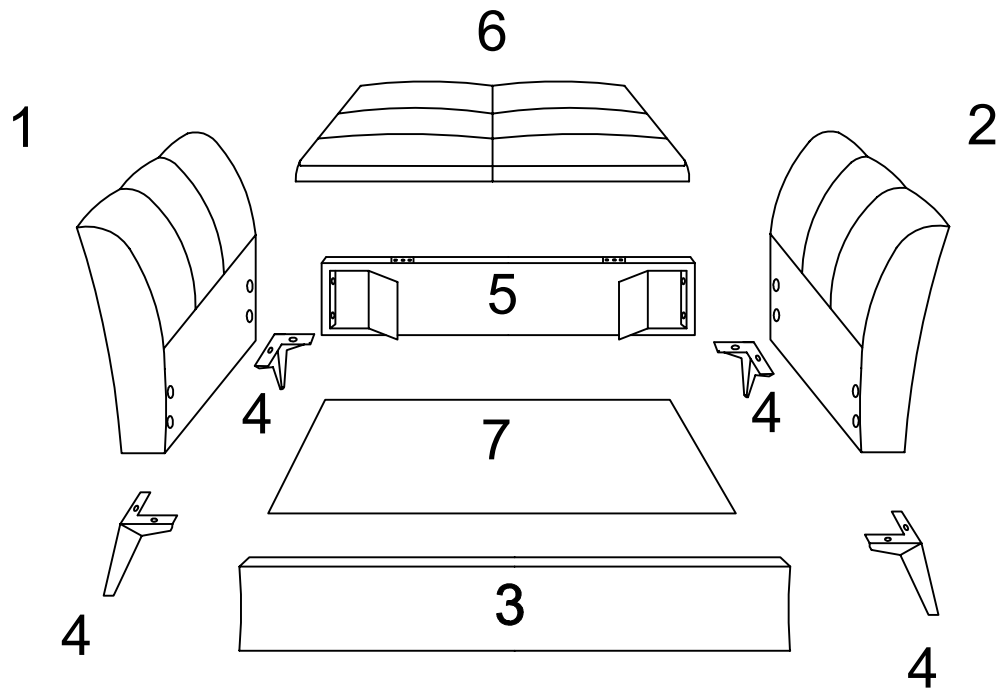
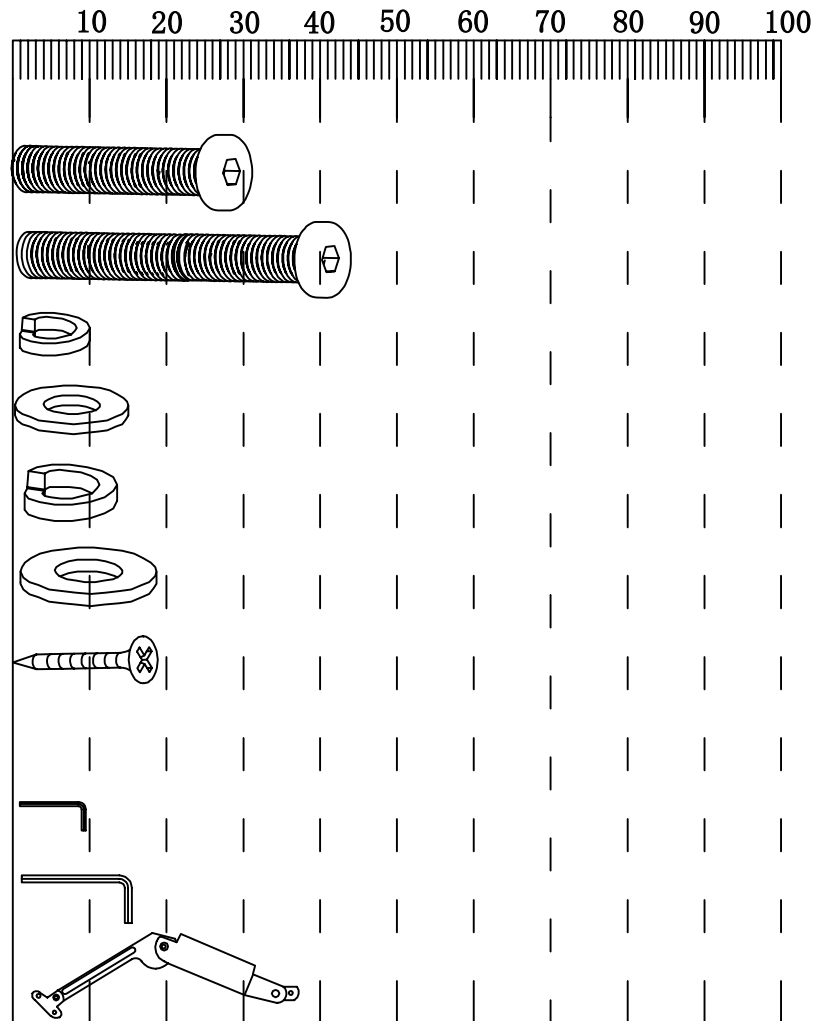
Please check the pack contents before assembling the product. If any components are missing, please contact your retailer. The fittings pack contains small items that should be kept away from small children.

1 	2 	3 
LEFT SIDE PANEL 1PC CARTON 1 OF 1	RIGHT SIDE PANEL 1PC CARTON 1 OF 1	FRONT PANEL 1PC CARTON 1 OF 1
4 	5 	6 
FEET 4PCS CARTON 1 OF 1	BACK PANEL 1PC CARTON 1 OF 1	TOP PANEL 1PC CARTON 1 OF 1
7 		
BOTTOM PANEL 1PC CARTON 1 OF 1		

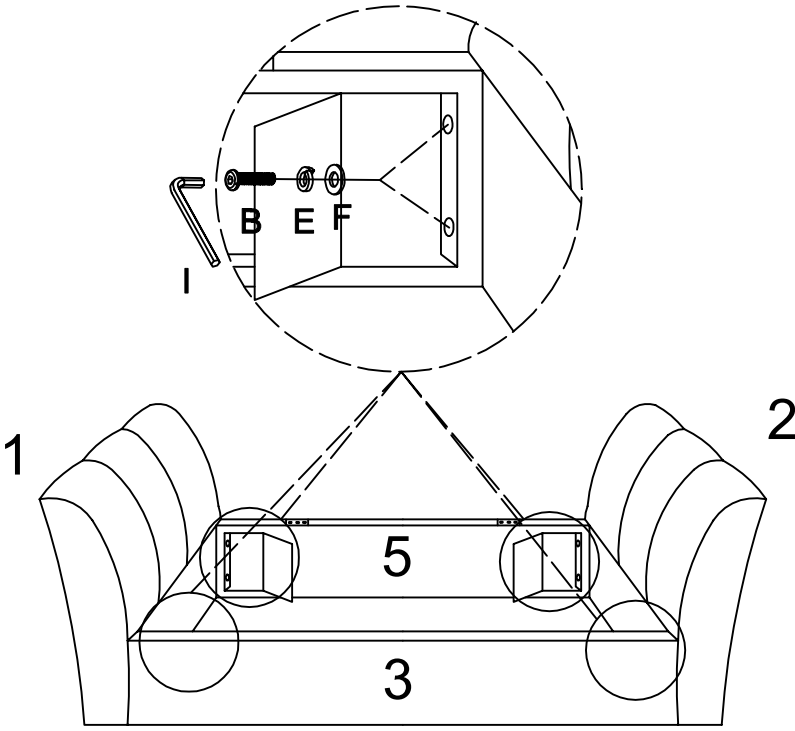
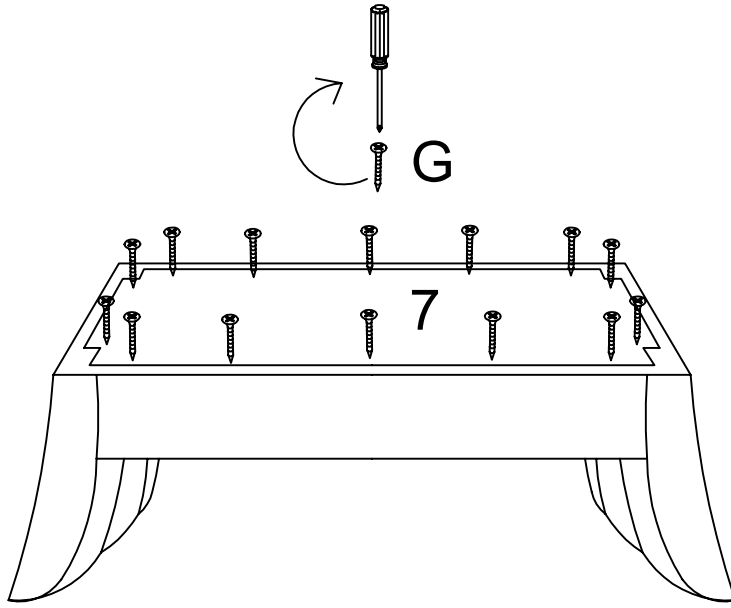
PETTINE OTTOMAN STORAGE BENCH

Fixings(to scale)

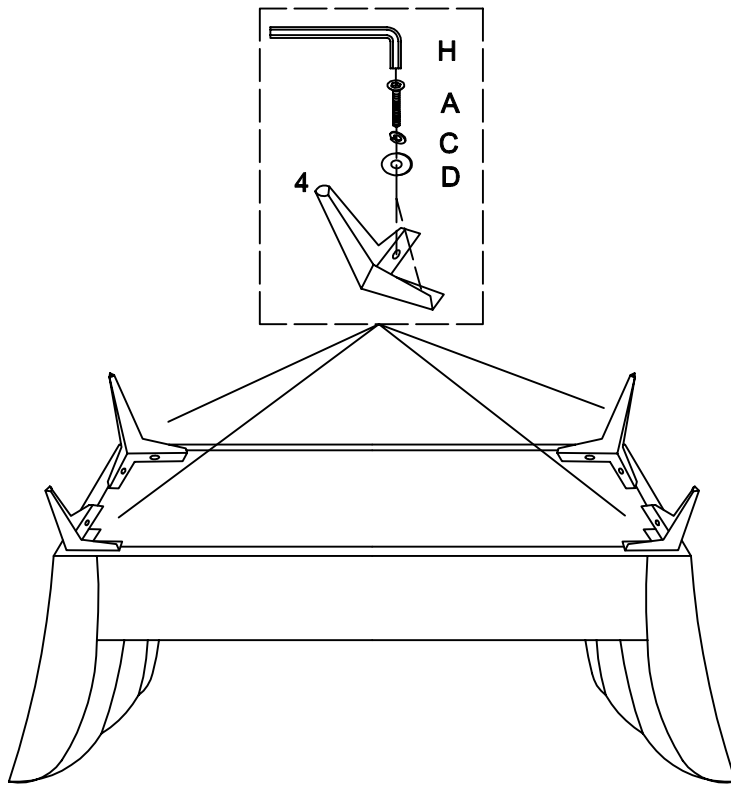
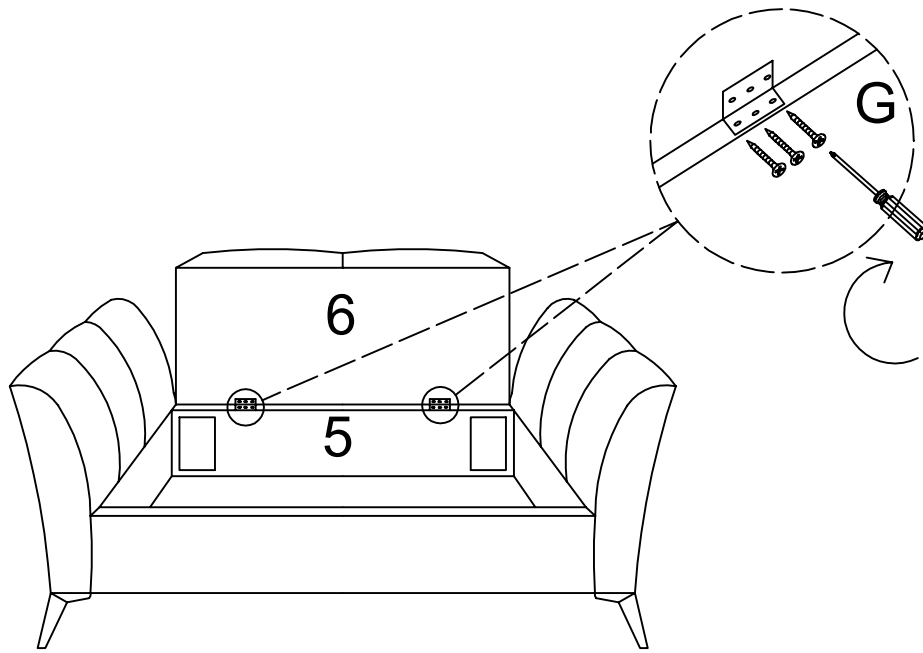
Ref	Dimensions	Qty
A	Bolt-1/4*25mm	8
B	Bolt-5/16*40mm	8
C	Spring Washer*1/4	8
D	Washer*1/4	8
E	Spring Washer*5/16	8
F	Washer*5/16	8
G	SCREW-3*19MM	28
(Not to scale)		
H	4MM Allen Key	1
I	5MM Allen Key	1
J	HINGE	2



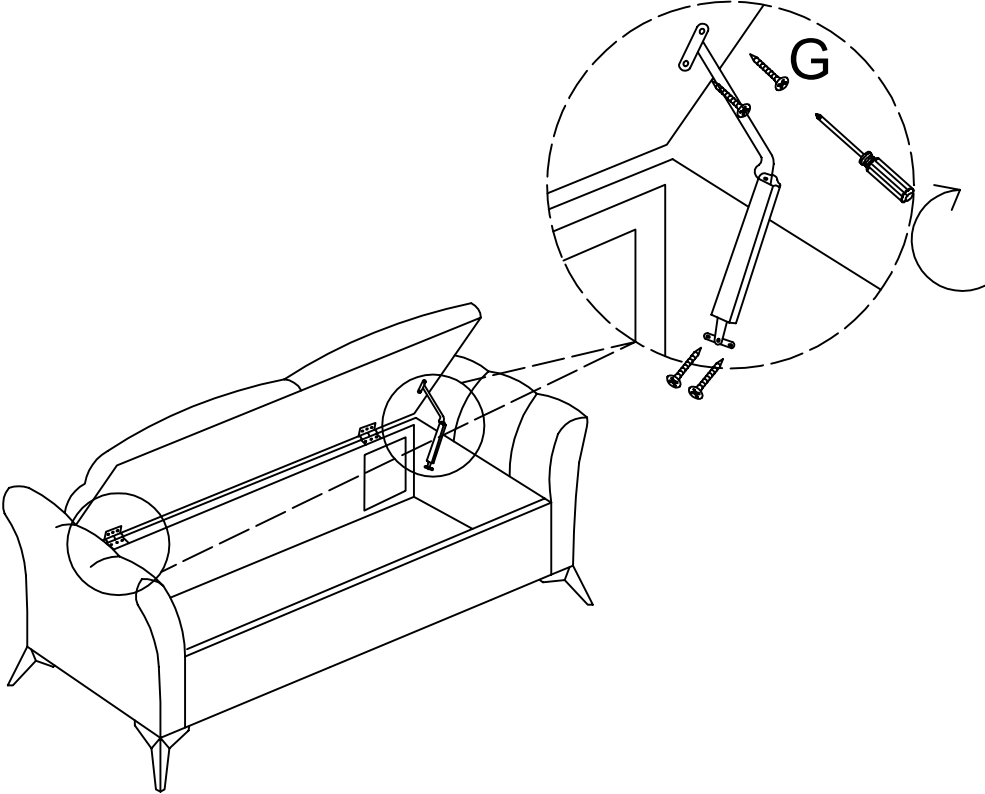
PETTINE OTTOMAN STORAGE BENCH

STEP 1	Parts Required
 <p>1</p> <p>2</p> <p>3</p> <p>5</p> <p>B E F</p> <p>I</p>	<p>1.LEFT SIDE PANEL X 1 2.RIGHT SIDE PANEL X 1 3.FRONT PANEL X 1 5.BACK PANEL X 1 B X 8 E X 8 F X 8 I X 1</p>
STEP 2	
 <p>7</p> <p>G</p>	<p>7.BOTTOM PANEL X 1 G X 14</p>

PETTINE OTTOMAN STORAGE BENCH

STEP 3	Parts Required
	4.FEET X 4 A X 8 C X 8 D X 8 H X 1
STEP 4	
	6.TOP PANEL X 1 G X 6

PETTINE OTTOMAN STORAGE BENCH

STEP 5	Parts Required
	J.HINGE X 2 G X 8
<p data-bbox="549 1335 799 1375">COMPLETE</p> 