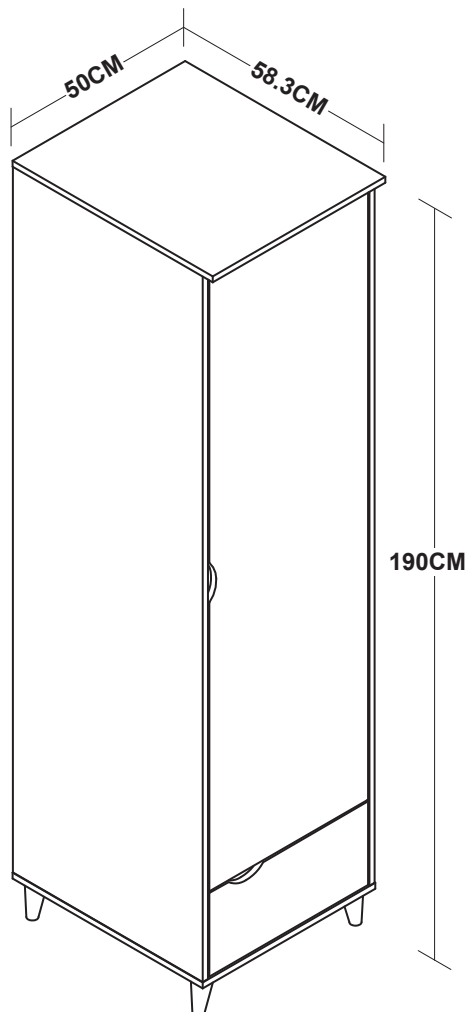



LPD STOCKHOLM 1 DOOR 1 DRAWER WARDROBE

Assembly Instructions - Please keep for future reference








PLEASE KEEP THE ORIGINAL PACKAGING UNTIL THE ITEM IS FULLY ASSEMBLED AND IN PLACE. IN THE UNLIKELY EVENT THAT YOU NEED TO RETURN YOUR PRODUCT, IT MUST BE RETURNED IN ITS ORIGINAL PACKAGING TO AVOID FURTHER DAMAGE. FAILURE TO COMPLY TO THESE PROCEDURES, NO RETURN'S WILL BE ACCEPTED.



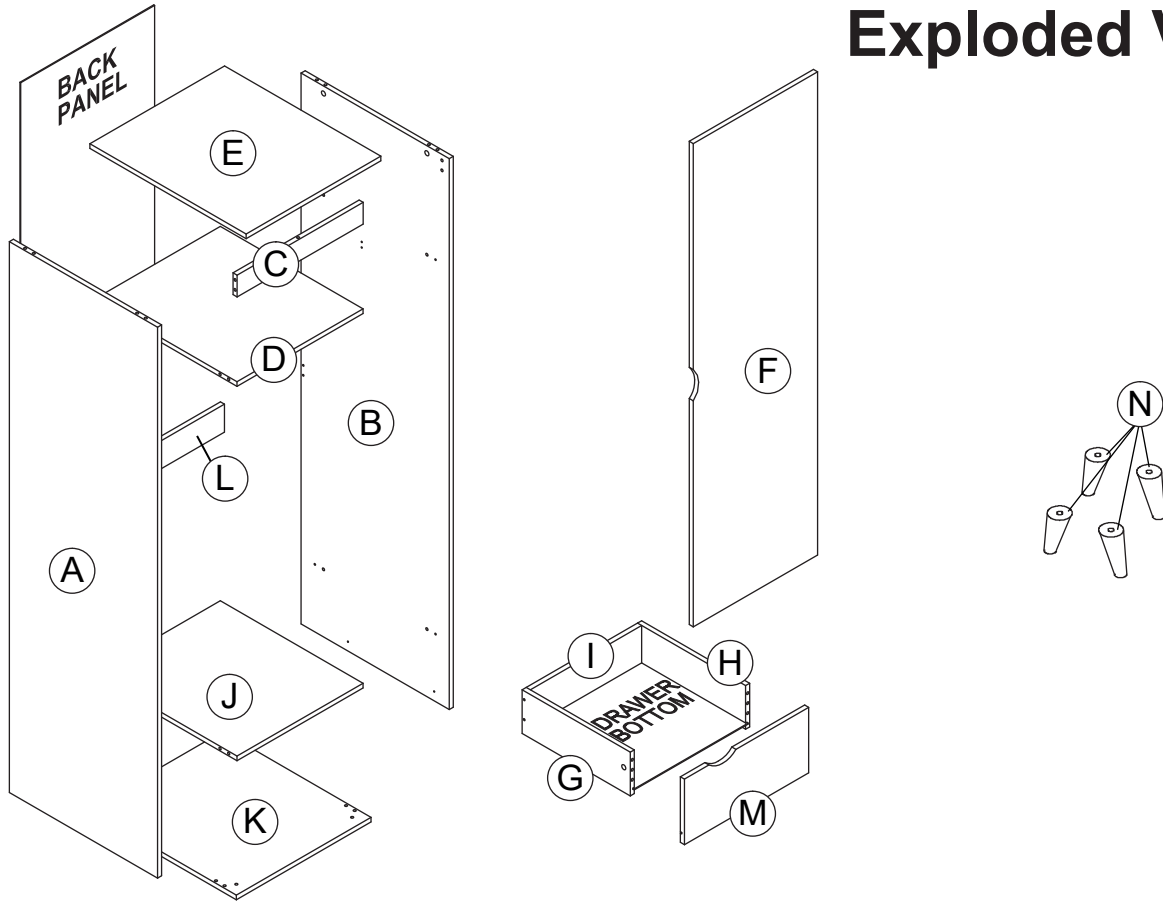
No. people	Assembly Time
	1 Hour (approx.)

" SHOULD IT BE NECESSARY TO RETURN THIS PRODUCT FOR ANY REASON, IT MUST BE RETURNED IN ITS ORIGINAL PACKAGING"

Important: Read carefully

-  Please check you have all parts listed on your assembly sheet. In the unlikely event that any parts are missing, please contact your retailer immediately.
-  Do not use any other tools than those listed on your assembly sheet / tools provided. Use of power tools could damage your product and returns would not be accepted back in these circumstances. Use of power tools could also make your product unsafe due to overtightening.
-  Depending on the amount of use your product receives, it may be necessary to tighten the fixings from time to time.
-  Assemble your product on a soft surface to avoid scratching and also preferably in the room intended for use to avoid having to move the product unnecessarily once assembled.
-  For cleaning please use a clean damp cloth or duster. Use of abrasive or chemical cleaners will most likely scratch or damage the surface of your product. We do not accept returns for damages arising from incorrect care of products.
-  Please keep the original packing until your item is fully assembled and in place. In the unlikely event you need to return your product. It must be returned back in its original packing to avoid any damage.
-  The surface of this item is not heat resistant. Please use a mat under hot, cold or wet items to prevent marking.

Exploded View



Components - Panels

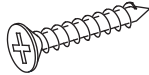
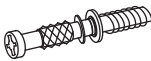
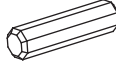

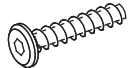


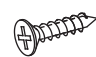





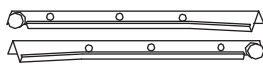

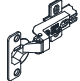
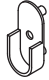



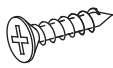
Please check that you have all the components listed below before constructing your items.

Parts No	Description	Qty
A	Side Panel - L	1
B	Side Panel - R	1
C	Top Support Panel	1
D	Top Shelf Panel	1
E	Top Panel	1
F	Door Panel	1
G	Drawer Side Panel - L	1
H	Drawer Side Panel - R	1
I	Drawer Back Panel	1
J	Bottom Shelf Panel	1
K	Bottom Panel	1
L	Back Support Panel	1
M	Drawer Front	1
N	Wooden Leg	4
	Back Panel	1
	Drawer Bottom	1

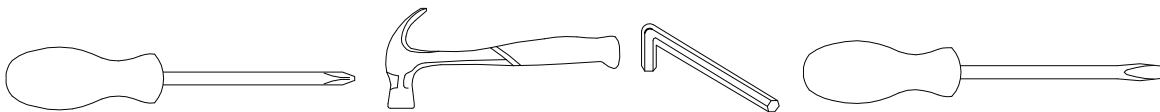
Components - Fixings

Please check that you have all the components listed below before constructing your items.

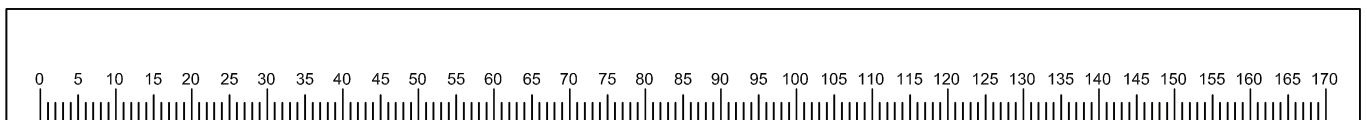
Note: The quantities below are the correct amount to complete the assembly. In some cases more fittings may be supplied than are required.

(A)	CB Screw 4 x 38mm  5 units	(B)	Cam Bolt  19 units	(C)	Wood Dowel 8 x 30mm  24 units	(D)	Unitar Screw 7 x 40mm  4 units
(E)	JCBC Screw 8 x 40mm  4 units	(F)	Tapping Screw #8 x 1/2  12 units	(G)	PVC Sticker 25mm  8 units	(H)	CB Screw 3.5 x 14mm  6 units
(I)	Chrome Pipe (460mm)  1 unit	(J)	Cam Nut  19 units	(K)	Allen Key M4  1 unit	(L)	Allen Key M5  1 unit
(M)	Drawer Slide 14"  1 set	(N)	Drawer Slide 14"  1 set	(O)	Nail 5/8  20 units	(P)	Hinges 7/8  3 units
(Q)	PVC U-Bracket  2 units	(R)	Euro Screw 6 x 8mm  4 units	(S)	Wall Plug  1 unit	(T)	Safety Strap + Washer  1 unit
(U)	CB Screw 4 x 25mm  1 unit						

Tools Required

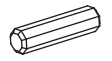
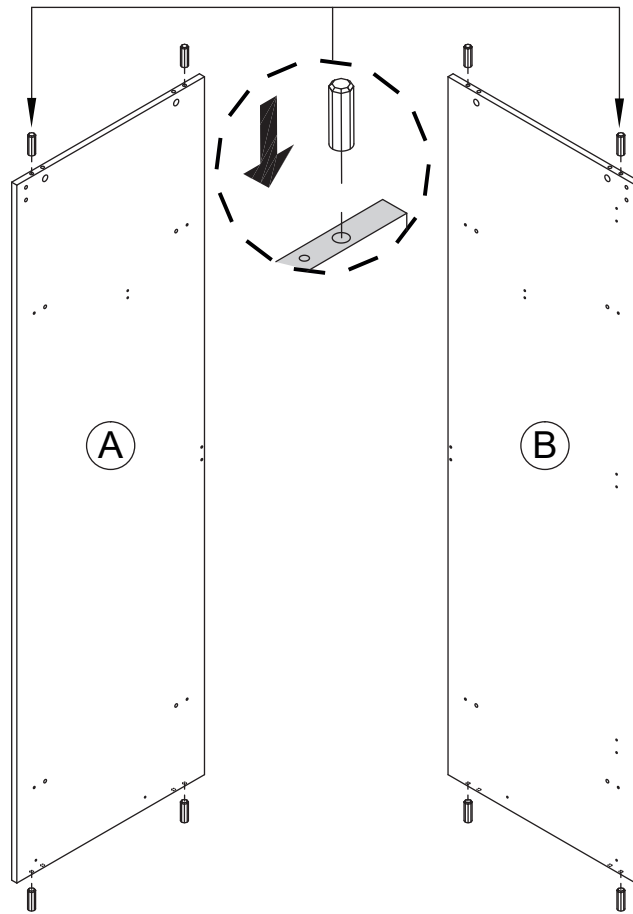


Ruler - Use this to measure your screws (mm)



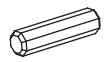
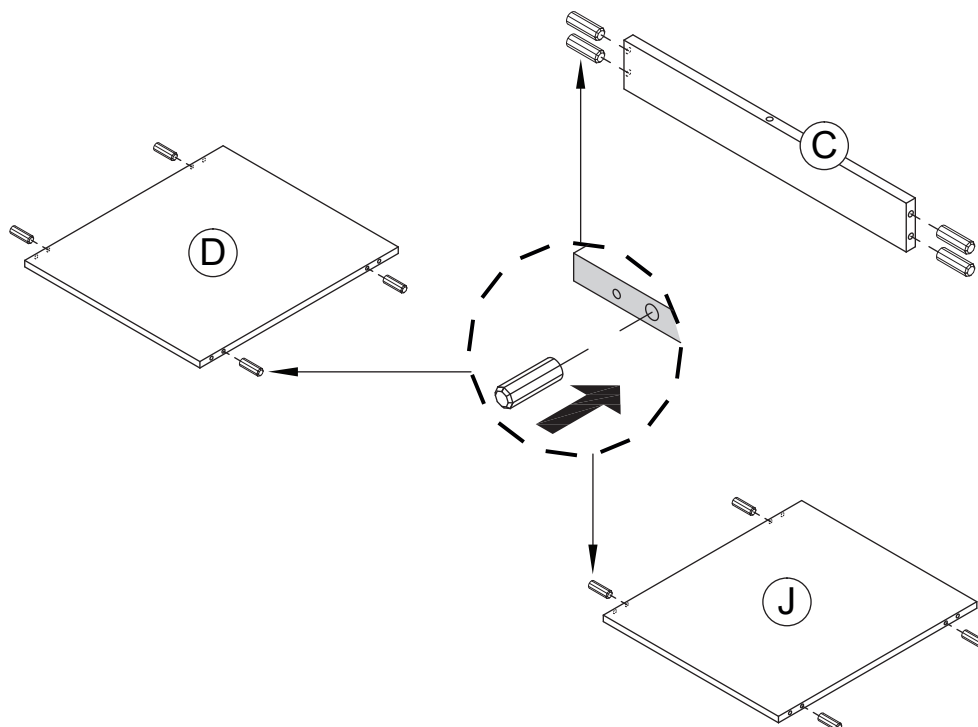
Assembly Instructions

Step 1



C x 8

Step 2

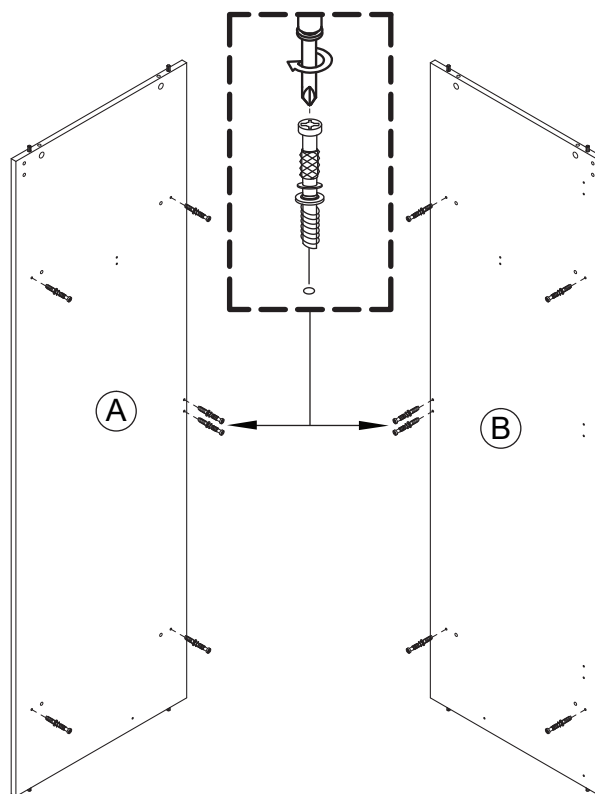
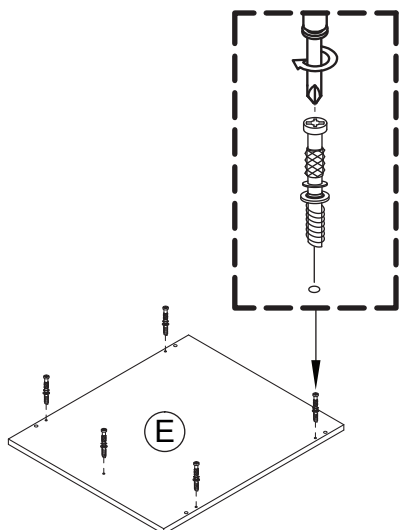
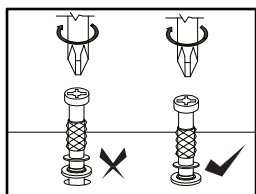


C x 12

Step 3



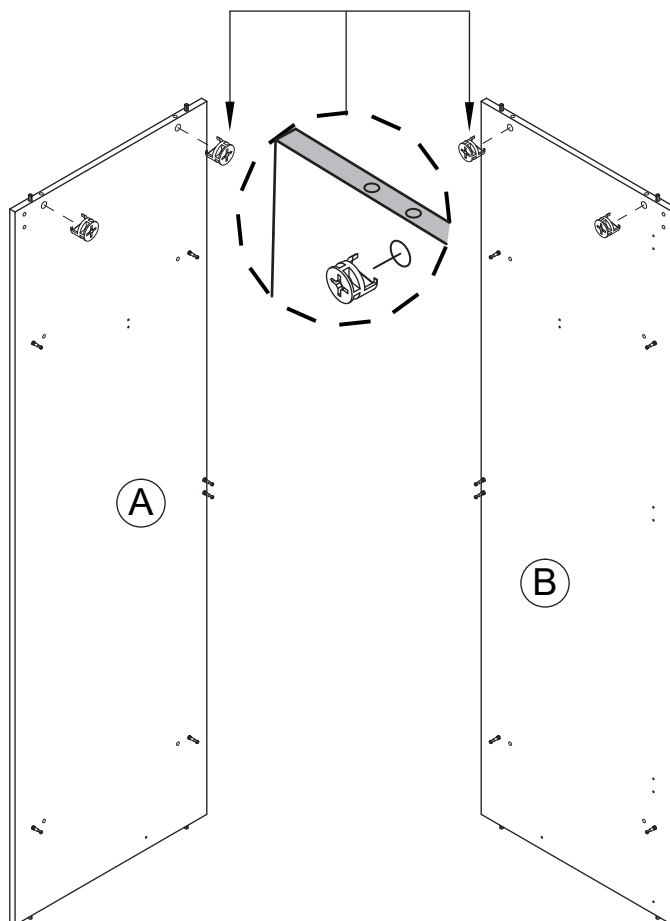
B x 17



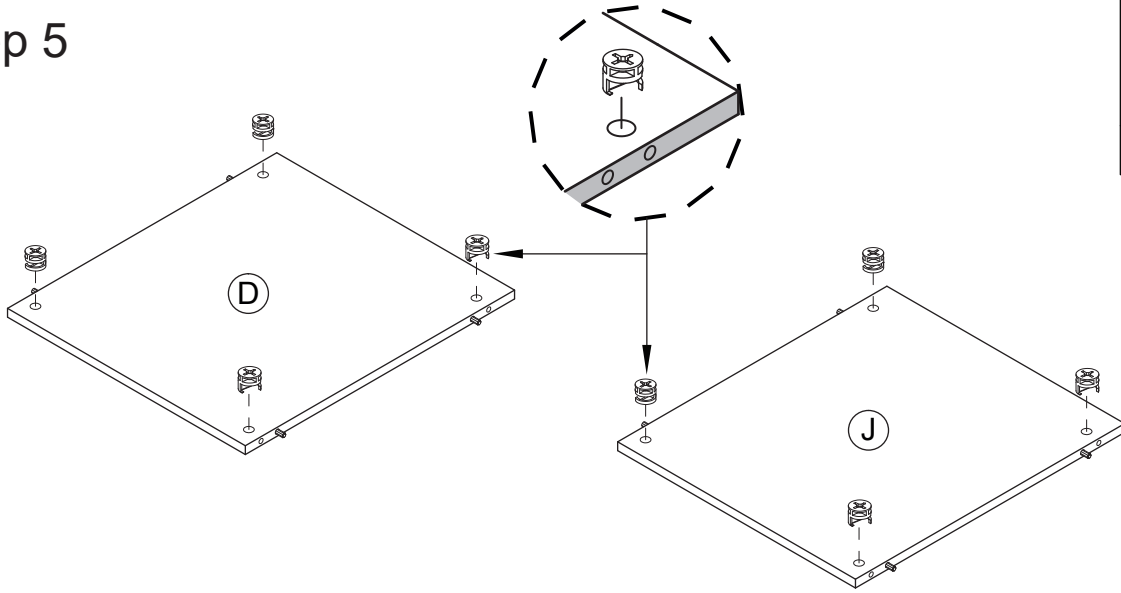
Step 4



J x 4

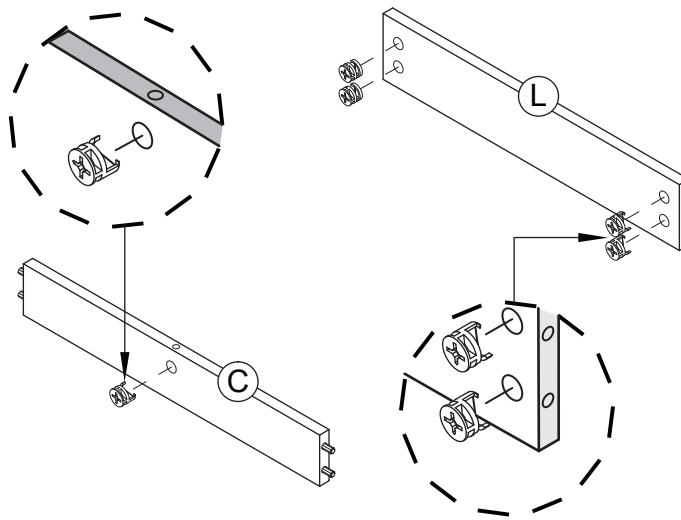


Step 5



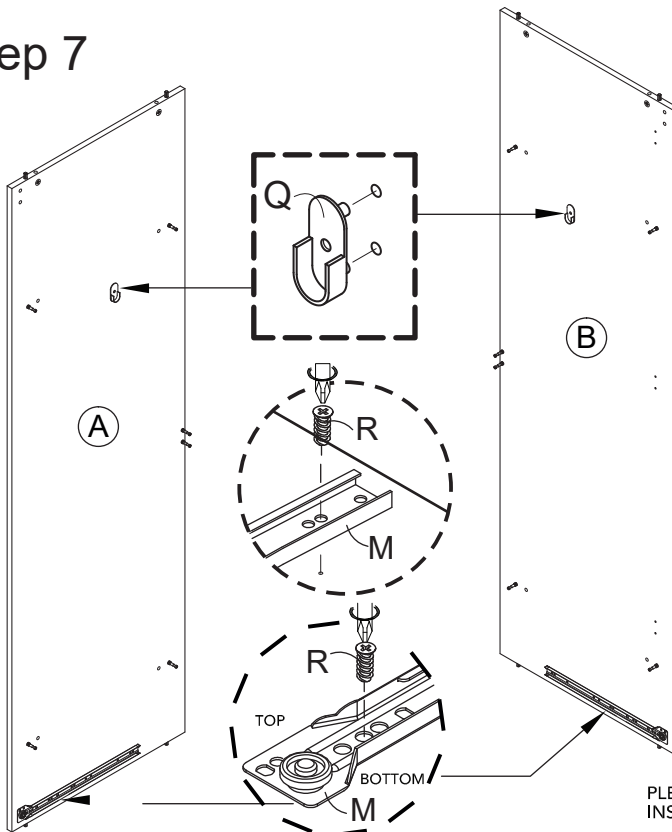
J x 8




Step 6

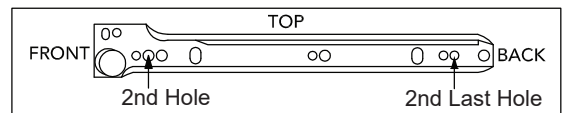


J x 5

Step 7

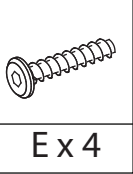
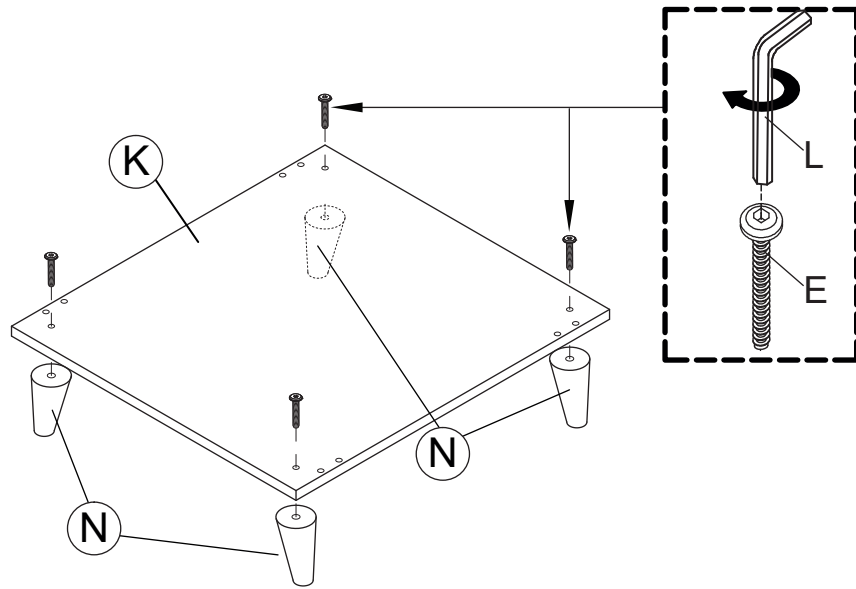


		
M x 1	Q x 2	R x 4



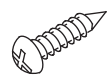
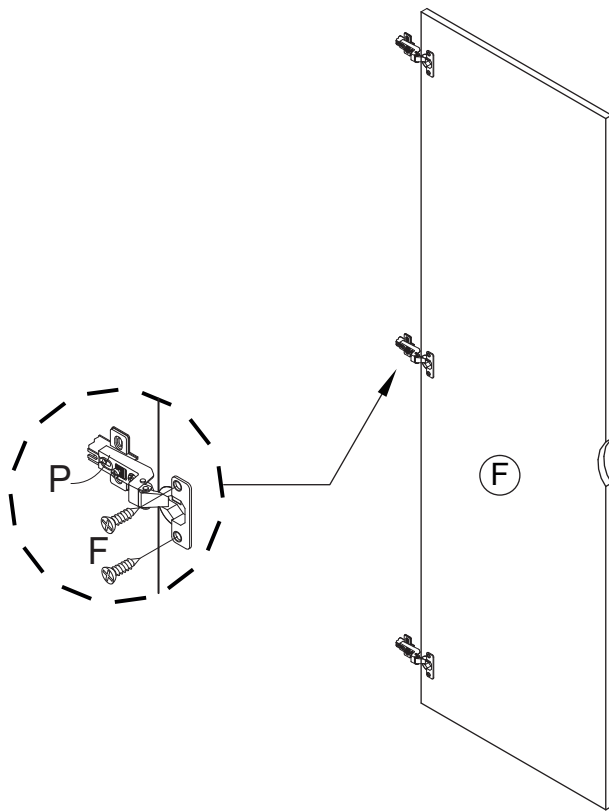
PLEASE ENSURE TO FIX THE SCREWS AS PER ABOVE POINTED HOLES INSTRUCTION TO AVOID DISTORTION OF OVERALL LOOK OF PRODUCTS

Step 8

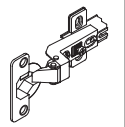


E x 4

Step 9

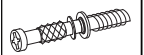
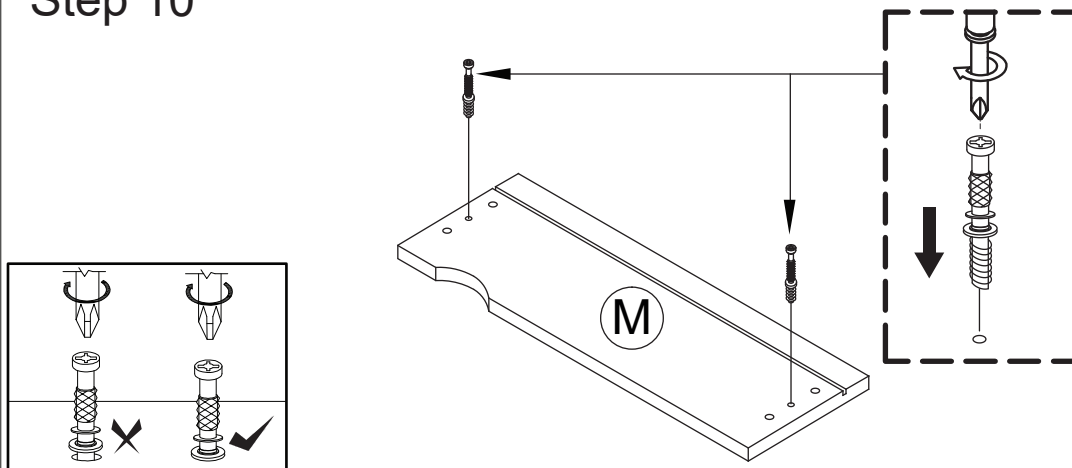


F x 6



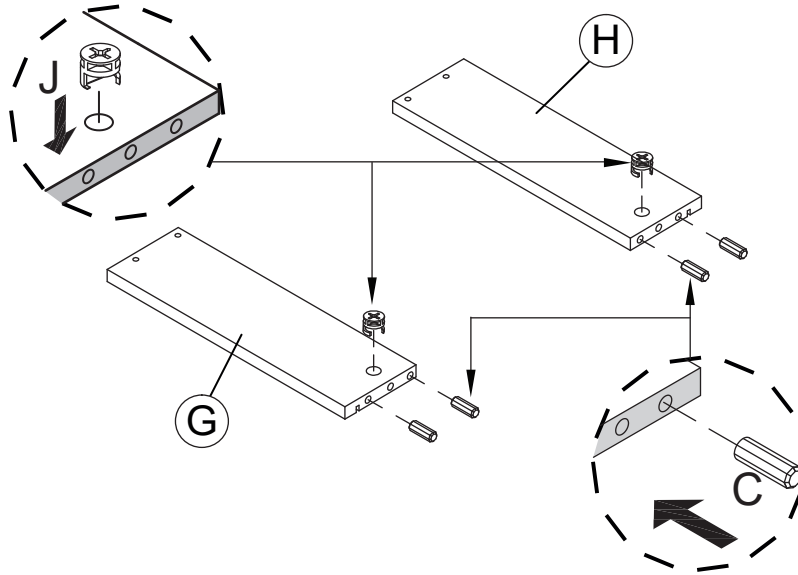
P x 3

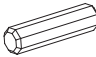

Step 10



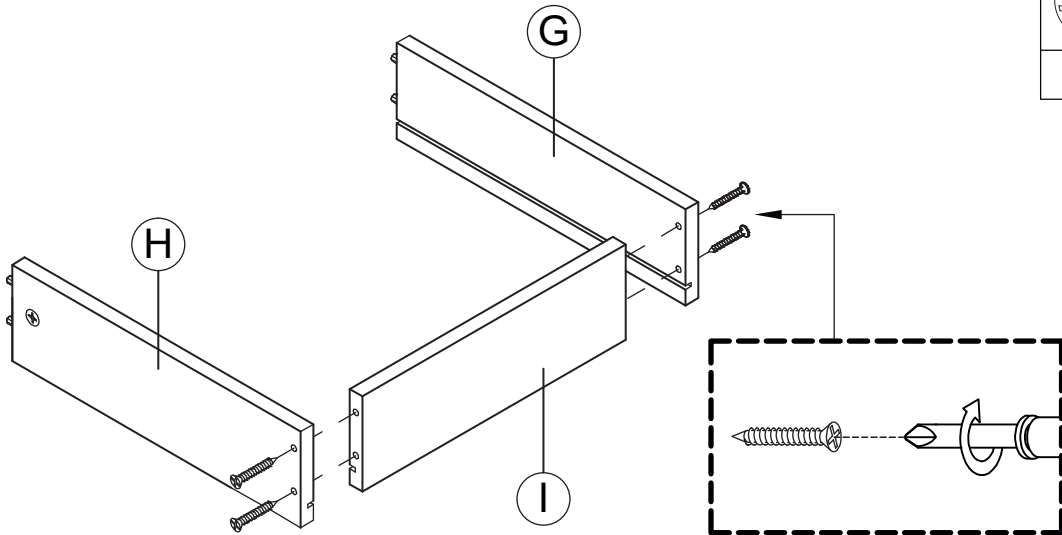
B x 2

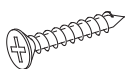
Step 11



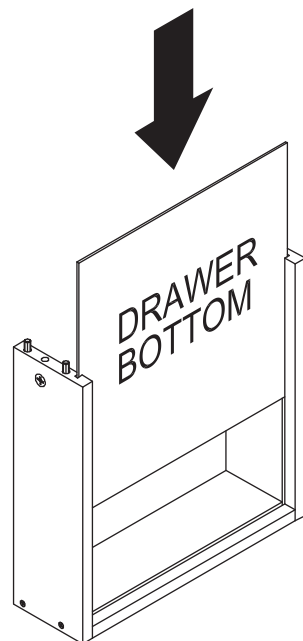
	
C x 4	J x 2

Step 12

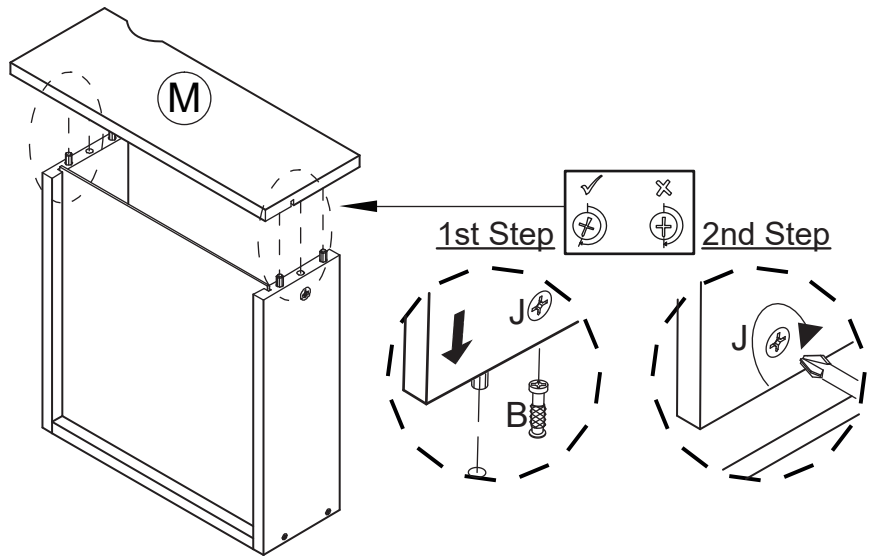



A x 4

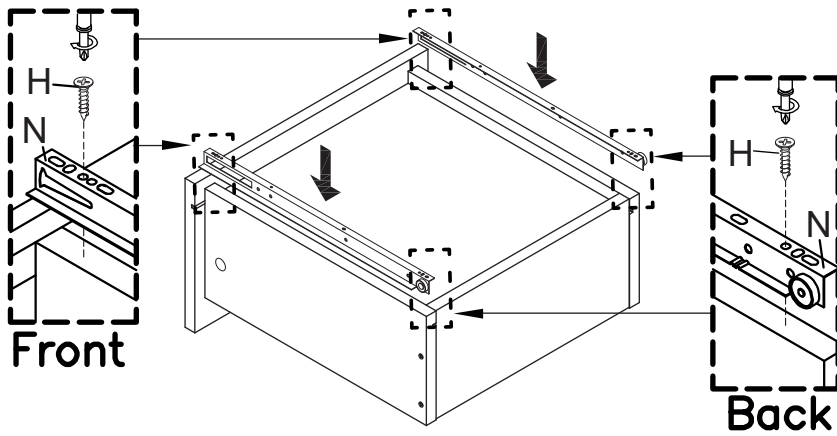
Step 13



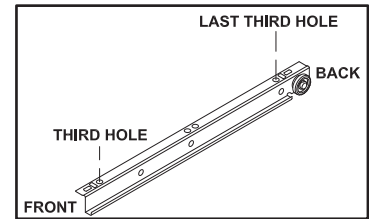
Step 14



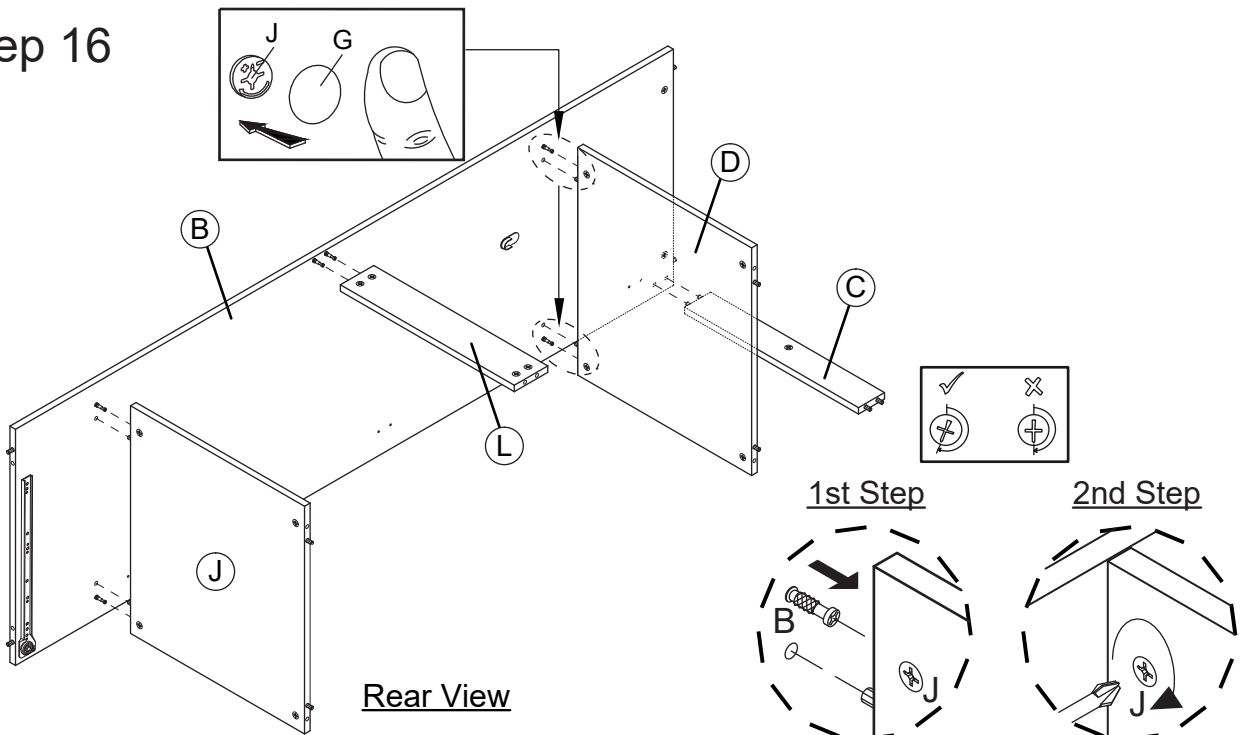
Step 15



L	R	
N x 1	H x 4	



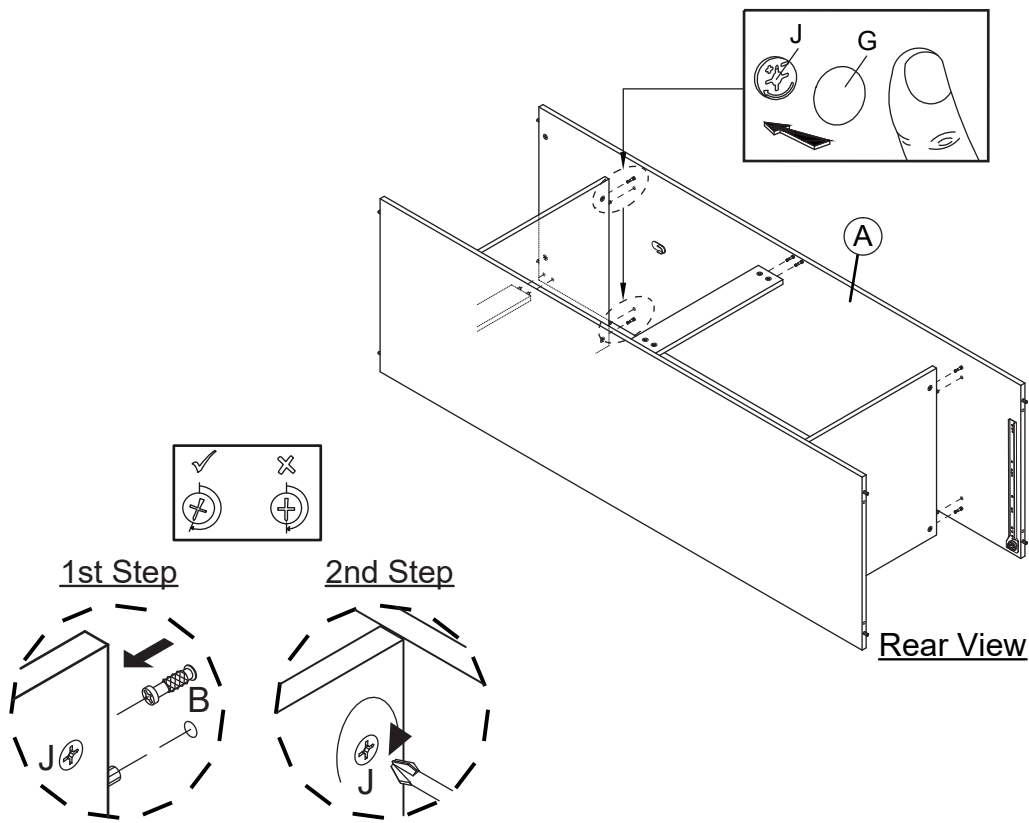
Step 16



Step 17



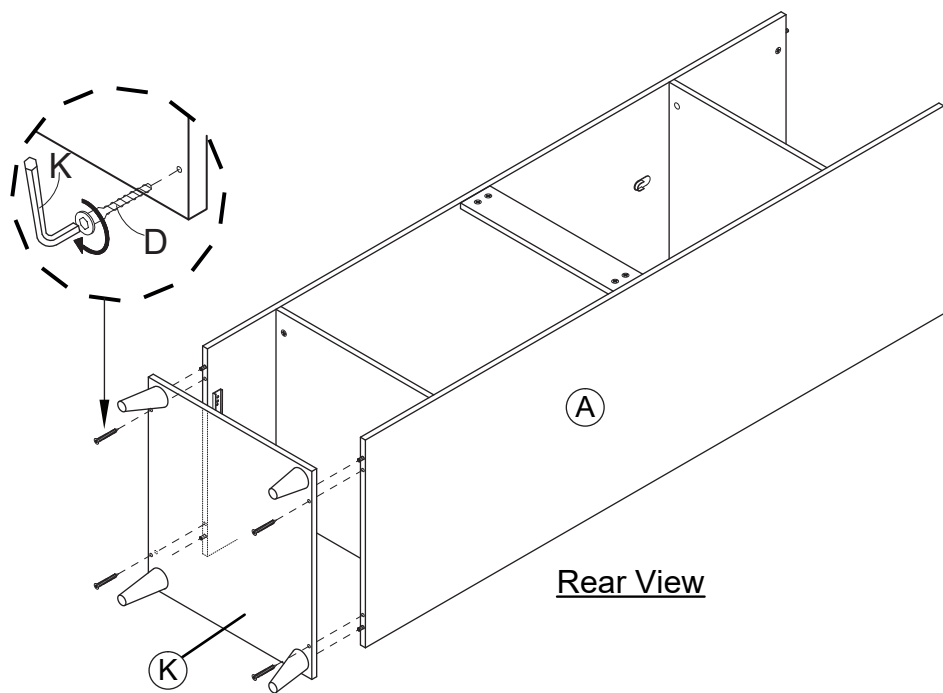
G x 2



Step 18



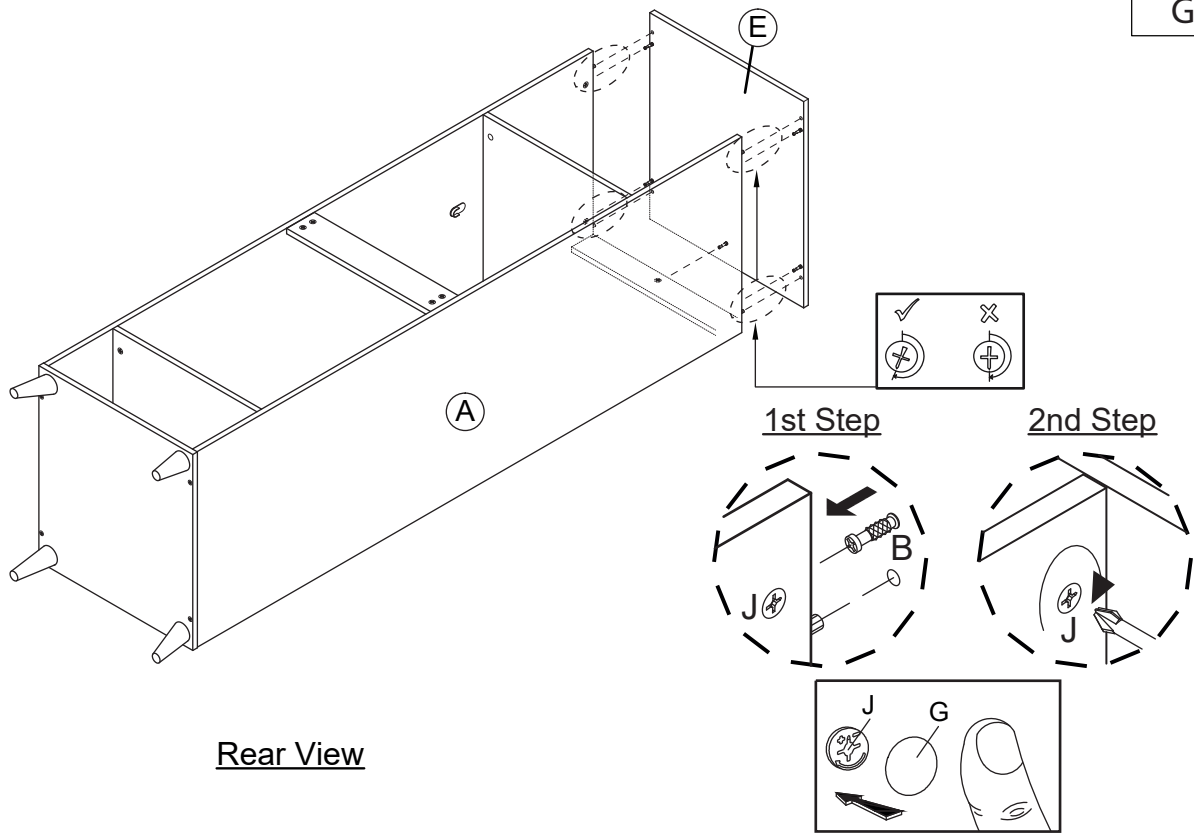
D x 4



Step 19

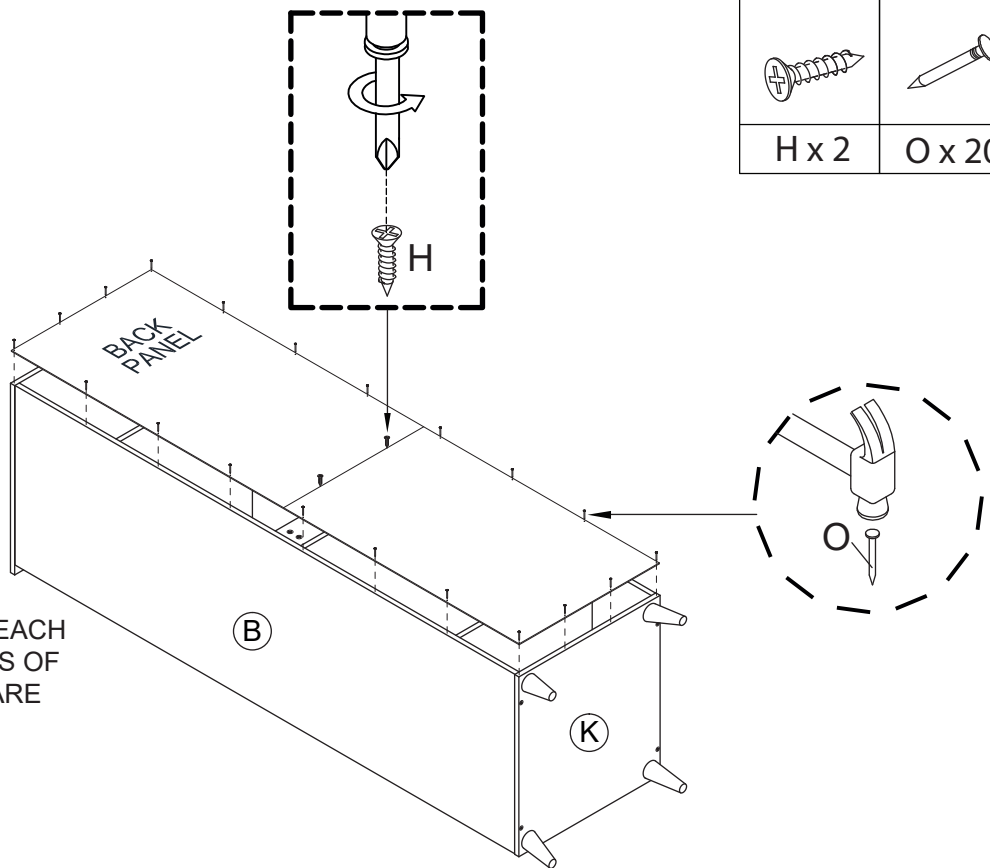


G x 4

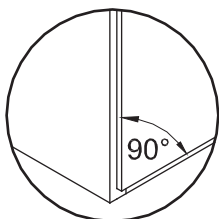


Step 20

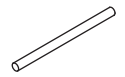
H x 2	O x 20



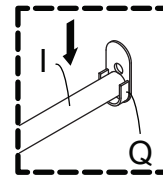
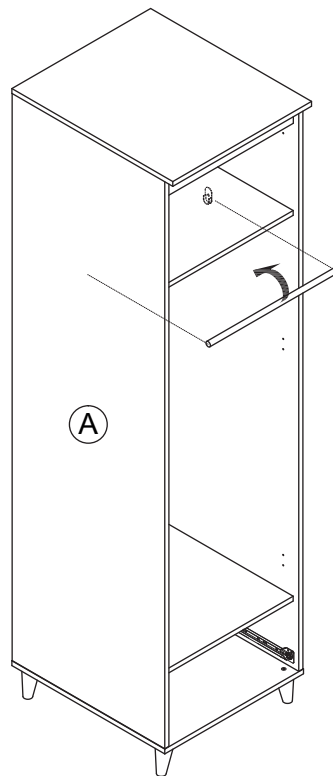
PLEASE ENSURE THAT EACH OF THE FOUR CORNERS OF THE CABINET IS SQUARE



Step 21



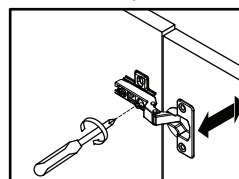
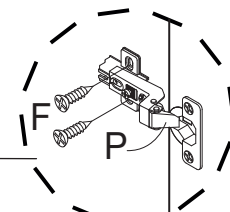
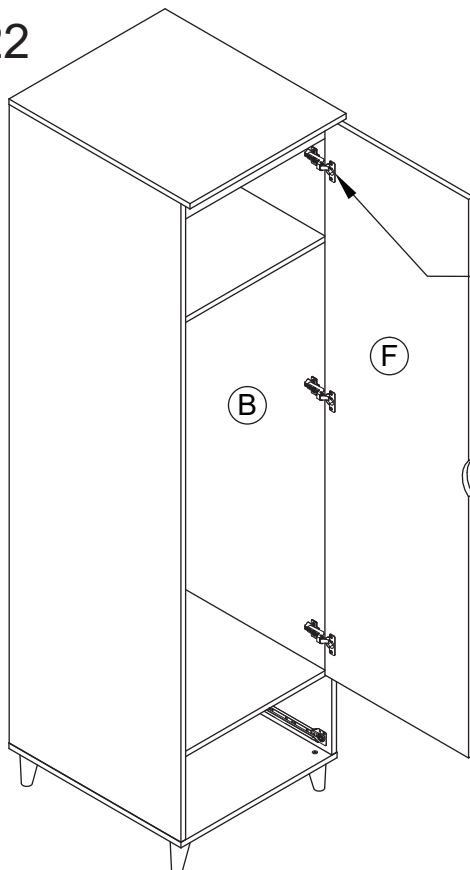
1 x 1



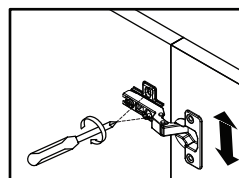
Step 22



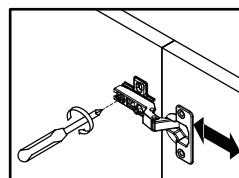
F x 6



**A. Lateral adjustment
by screw adjusting**

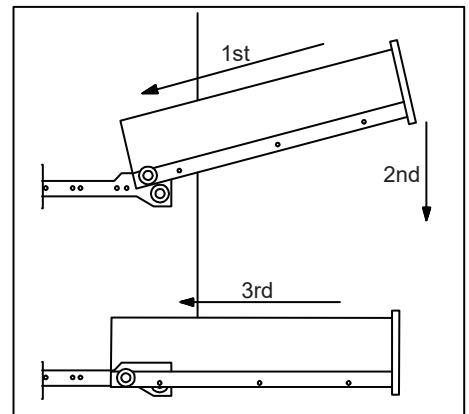
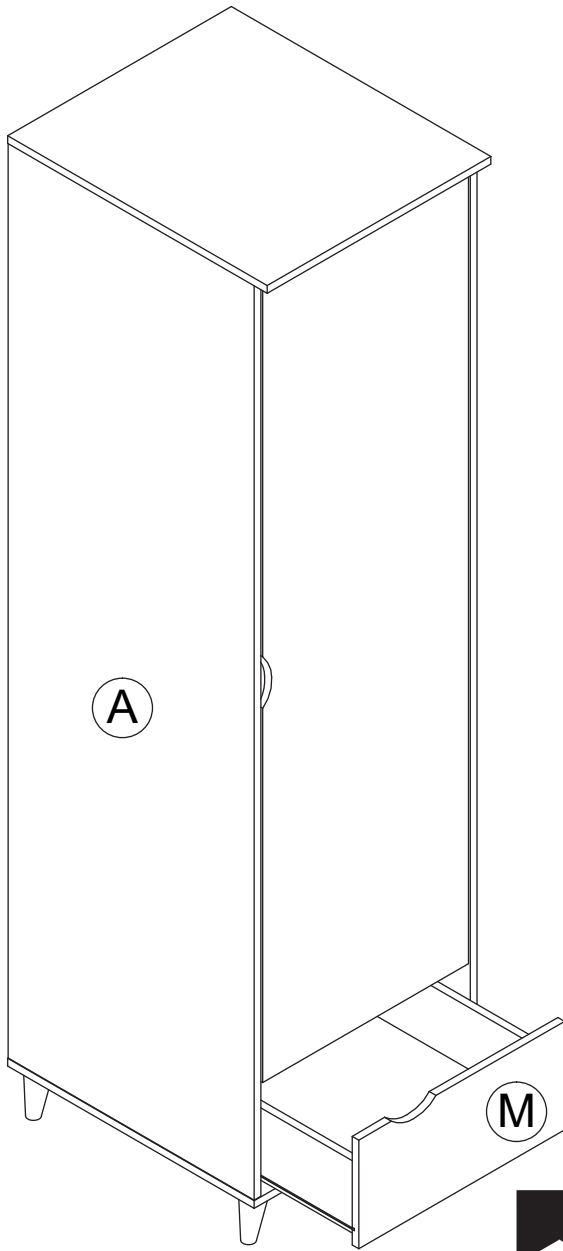


**B. Vertical adjustment via
slot in the mounting plate**



**C. Front to back by the
slacking the hinge arm
mounting screw**

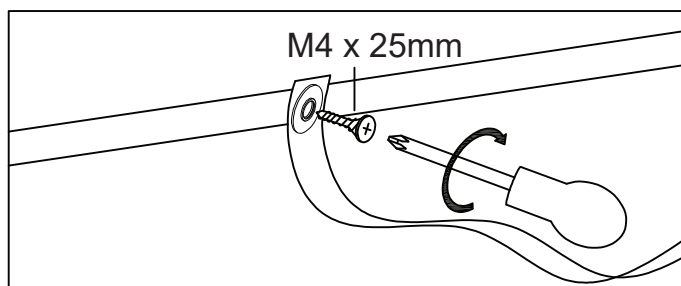
Step 23



FITTING OF ANTI-TIP SAFETY STRAP

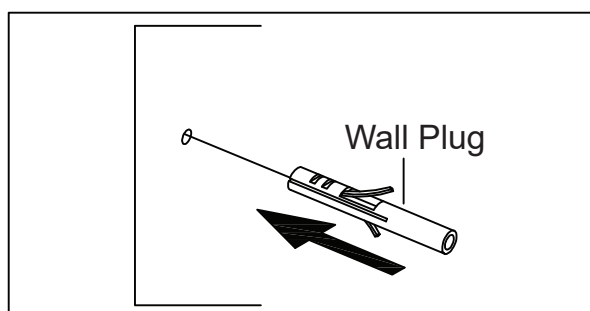
STEP 1:

Pull the screw in the top panel hole of your furniture



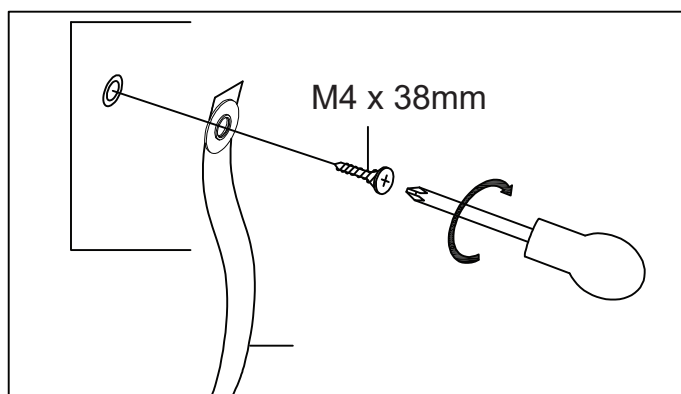
STEP 2:

Make a hole on the wall and pull the wall plug in



STEP 3:

Pull the screw in the wall plug hole



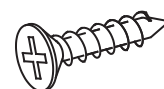
NOTE: Wall fixing are not supplied with this product as different wall materials require different types of fixing devices (such as Rawl plugs on bricks wall). You must use fixing devices suitable for the type of wall you intend to mount this product to. Please ensure that the head of any screw used has a diameter greater than the diameter of the mounting hole on the product and that the fixing is safe and secure before use.

The brackets and screws which to fix the brackets on to the furniture are provided only.

HARDWARE LIST



STRAP (200mm) - 1 Pc



M4 x 25mm - 1 Pc