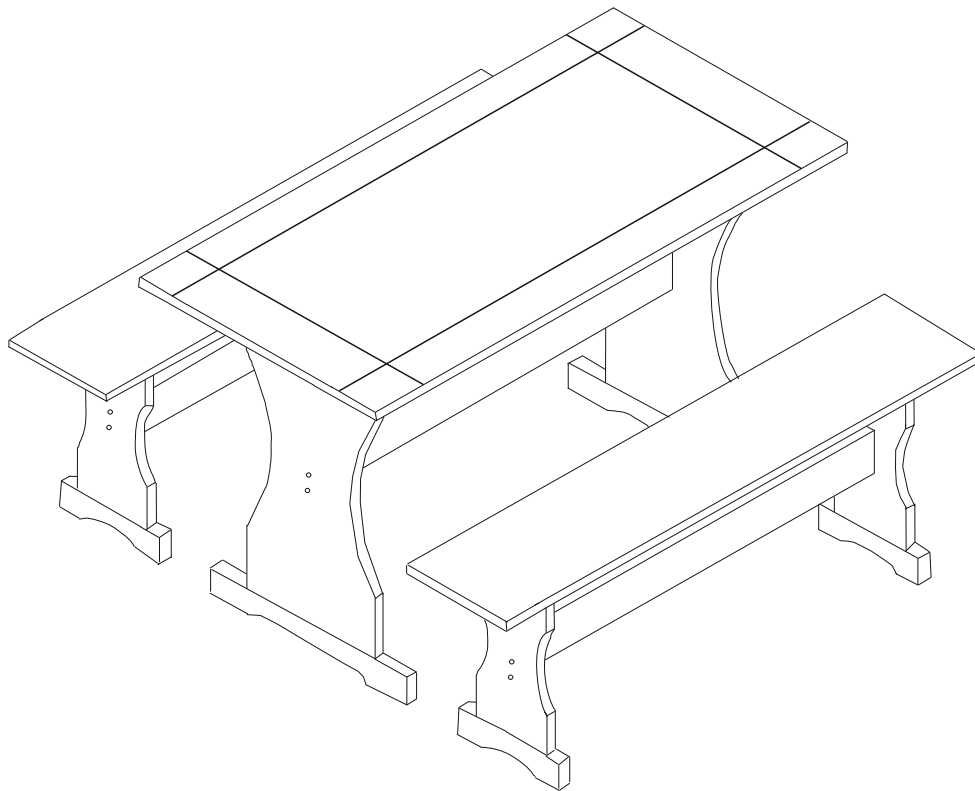


CORONA DINETTE SET

ASSEMBLY INSTRUCTIONS



IMPORTANT

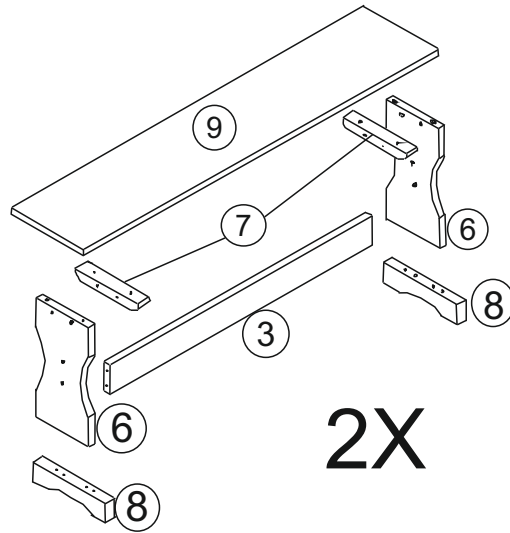
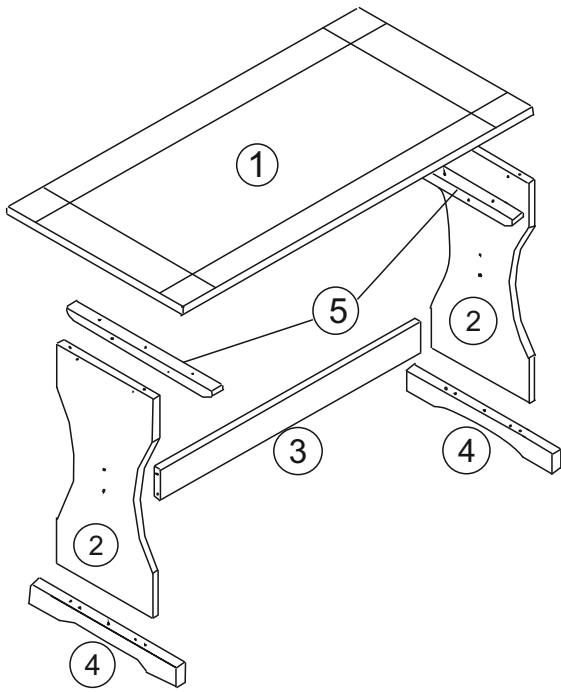
PLEASE READ BEFORE YOU CONTINUE FURTHER

FOR DOMESTIC USE ONLY

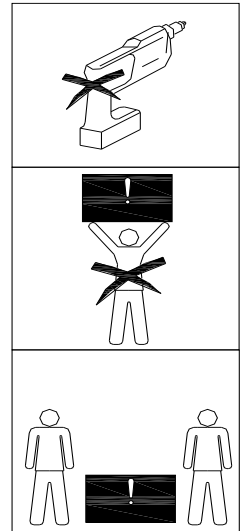
CARE AND MAINTENANCE

After unpacking this product please keep the original packaging in case it needs to be returned for any reason.

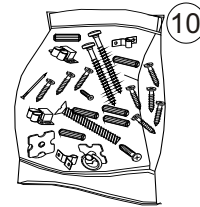
- Please ensure all fittings and parts are present before commencing with assembly.
- We recommend that you lay a blanket or sheet on the floor to avoid damage to both your floor and the product.
- We strongly recommend that you keep children away from your work area.
- Assemble this product as close to its final position as possible.
- Never drag or push products as this could cause damage to the joints making it inferior.
- Do not place this product next to a radiator or in direct sunlight.
- Wood is a natural product and may expand if subjected to damp and may shrink or crack if subjected to heat. Therefore it is recommended that room temperature is maintained, with no sudden temperature fluctuations.
- Make sure any spillage is wiped off immediately.
- Do not place hot or chilled items directly on to the surface, use a place mat or marking will occur.
- For general cleaning use a duster, and do not use detergents of any kind. However, the surface will need to be retreated from time to time. This can be done by using block wax (unperfumed) and rubbing it over the whole item.
- From time to time it may be necessary to tighten fittings, regular inspections should be carried out.



2X



Hardware Kit



	<p>3m x 3m</p>		
--	----------------	--	--

1	Table Top	01	6	Bench Side Section	04
2	Table Side Section	02	7	Bench Support Block	04
3	Crossrail	03	8	Bench Foot	04
4	Table Foot	02	9	Bench Top	02
5	Table Support Block	02	10	Hardware kit	01

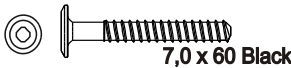
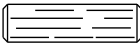
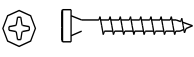
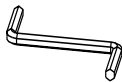



* Use of power tools to assemble this product will invalidate any claim and could damage this product making it unsafe!!!
 * Please assemble on a clean soft surface to avoid damage.

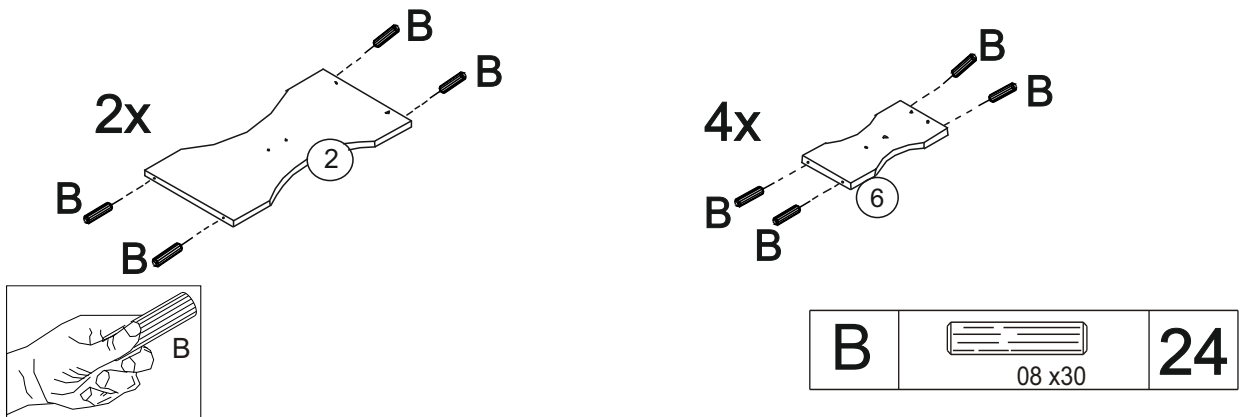
FITTINGS



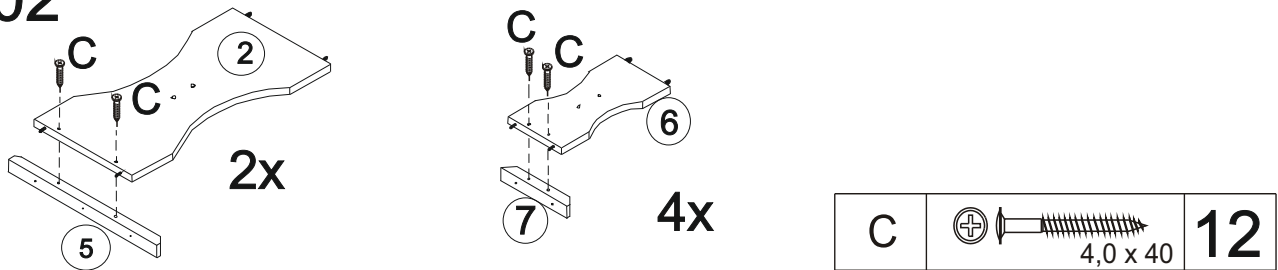
* Please check contents and read the instructions before commencing assembly.
 * Assemble this product following the enclosed instructions carefully.
 * Please take care to avoid damaging parts during assembly.

A	 7,0 x 60 Black	12
B	 Ø 8 x 30	24
C	 4,0 x 40	26
D		01
E	 7,0 x 80 Black	14

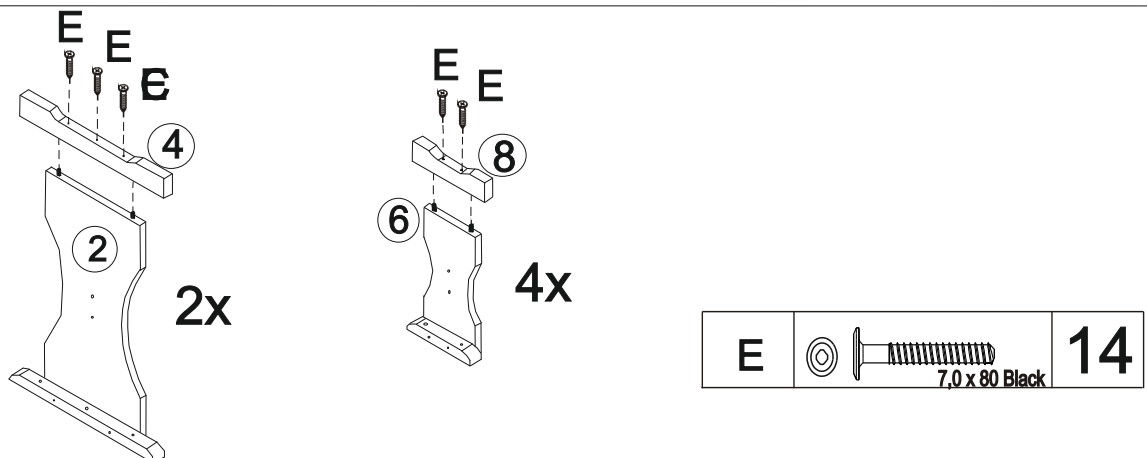
01



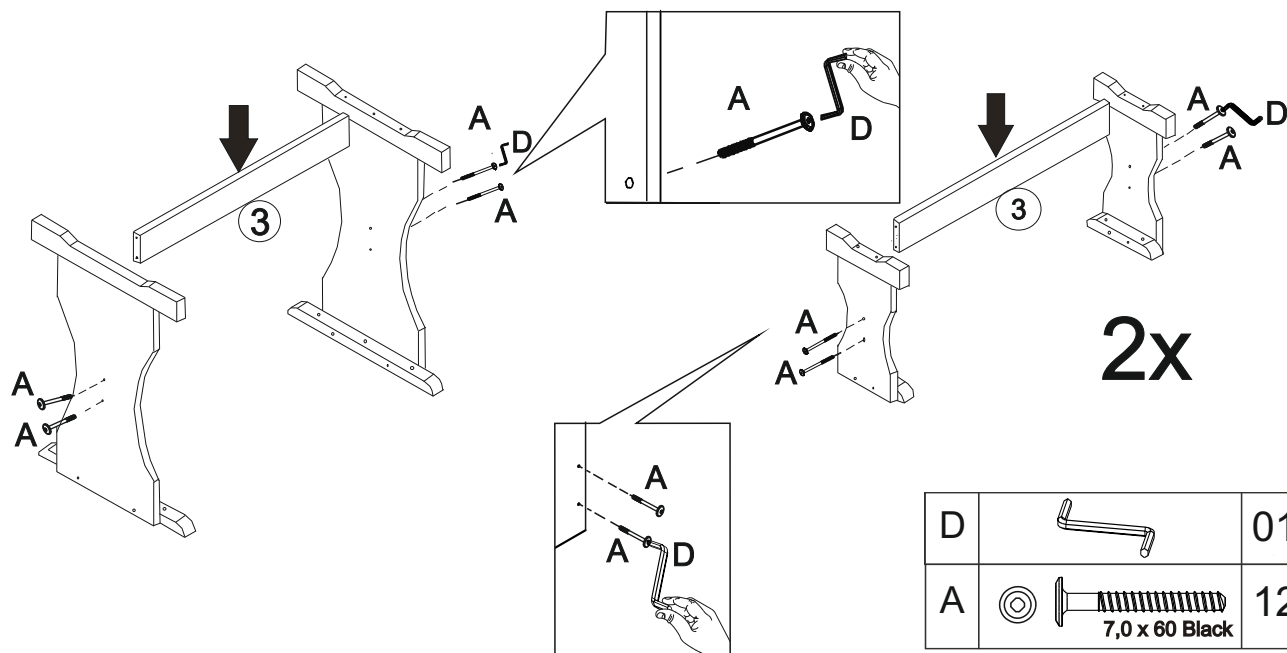
02



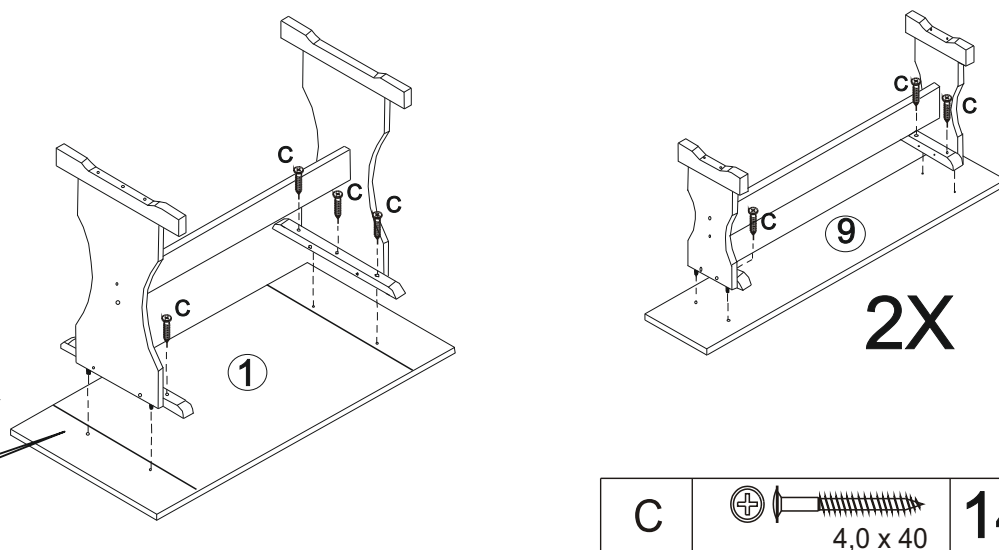
03



04

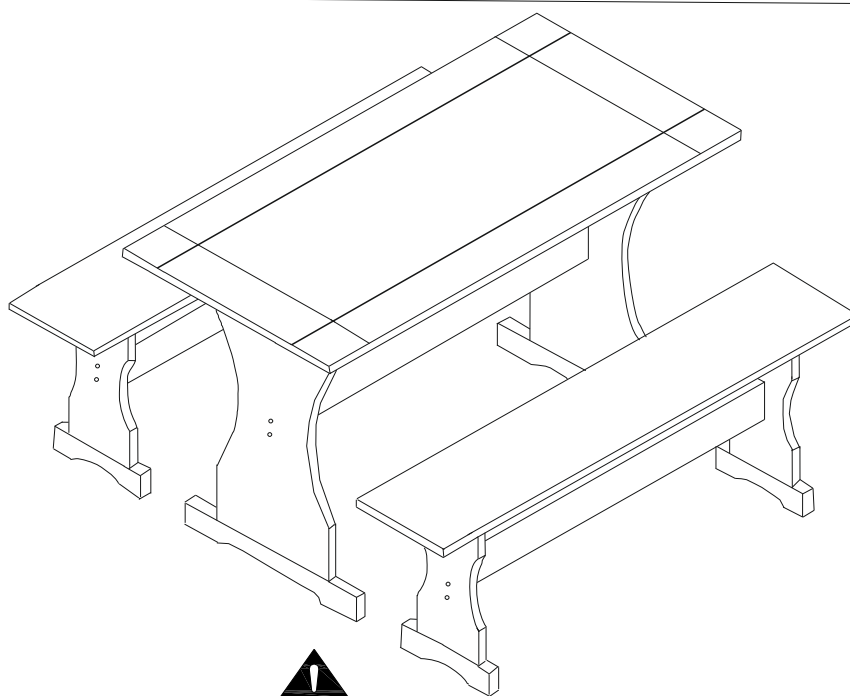


05



FOR YOUR FUTURE REFERENCE ORDER NUMBER SHOULD BE HERE

06



* Use of power tools to assemble this product will invalidate any claim and could damage this product making it unsafe!!!
 * Please assemble on a clean soft surface to avoid damage.